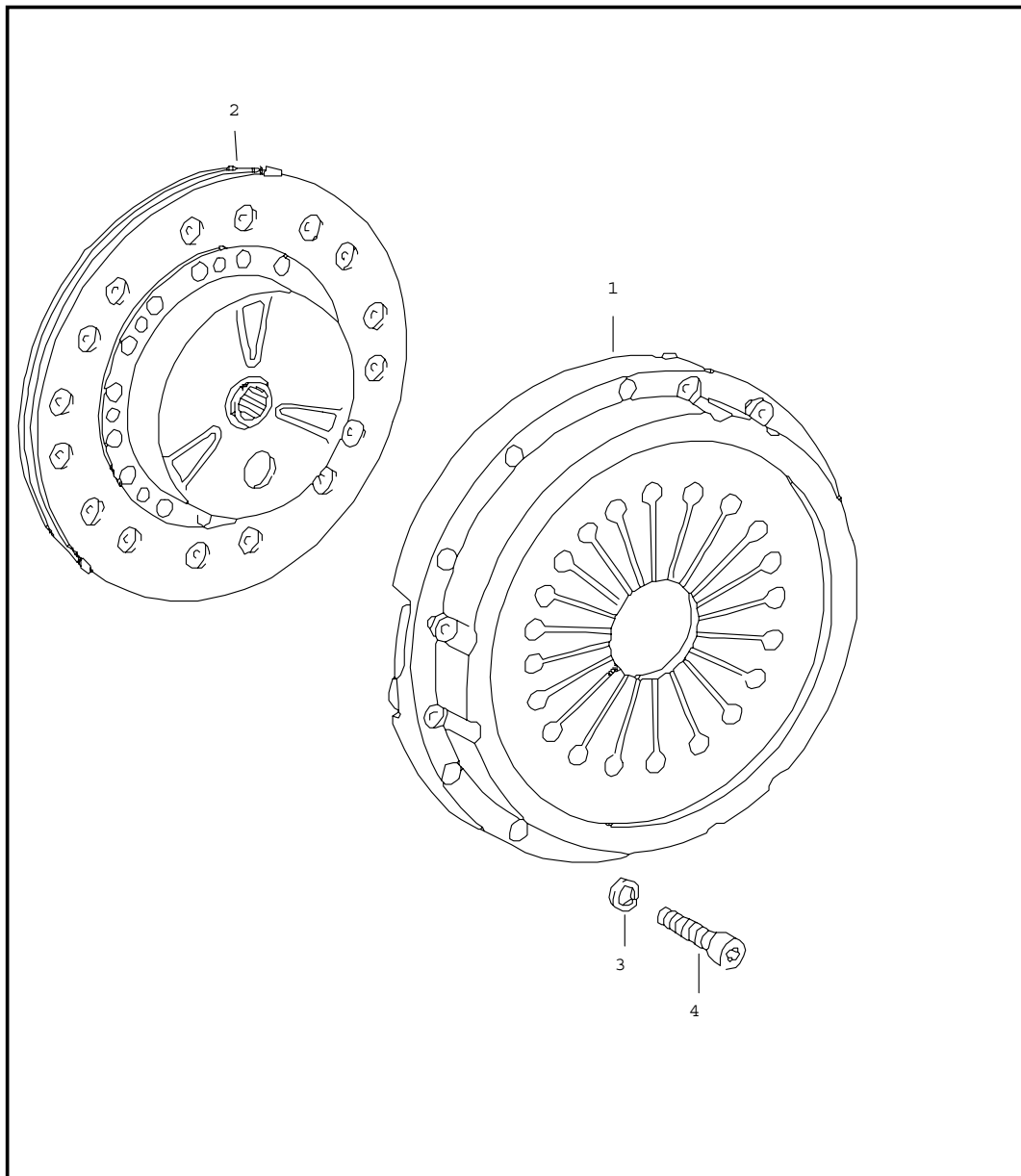
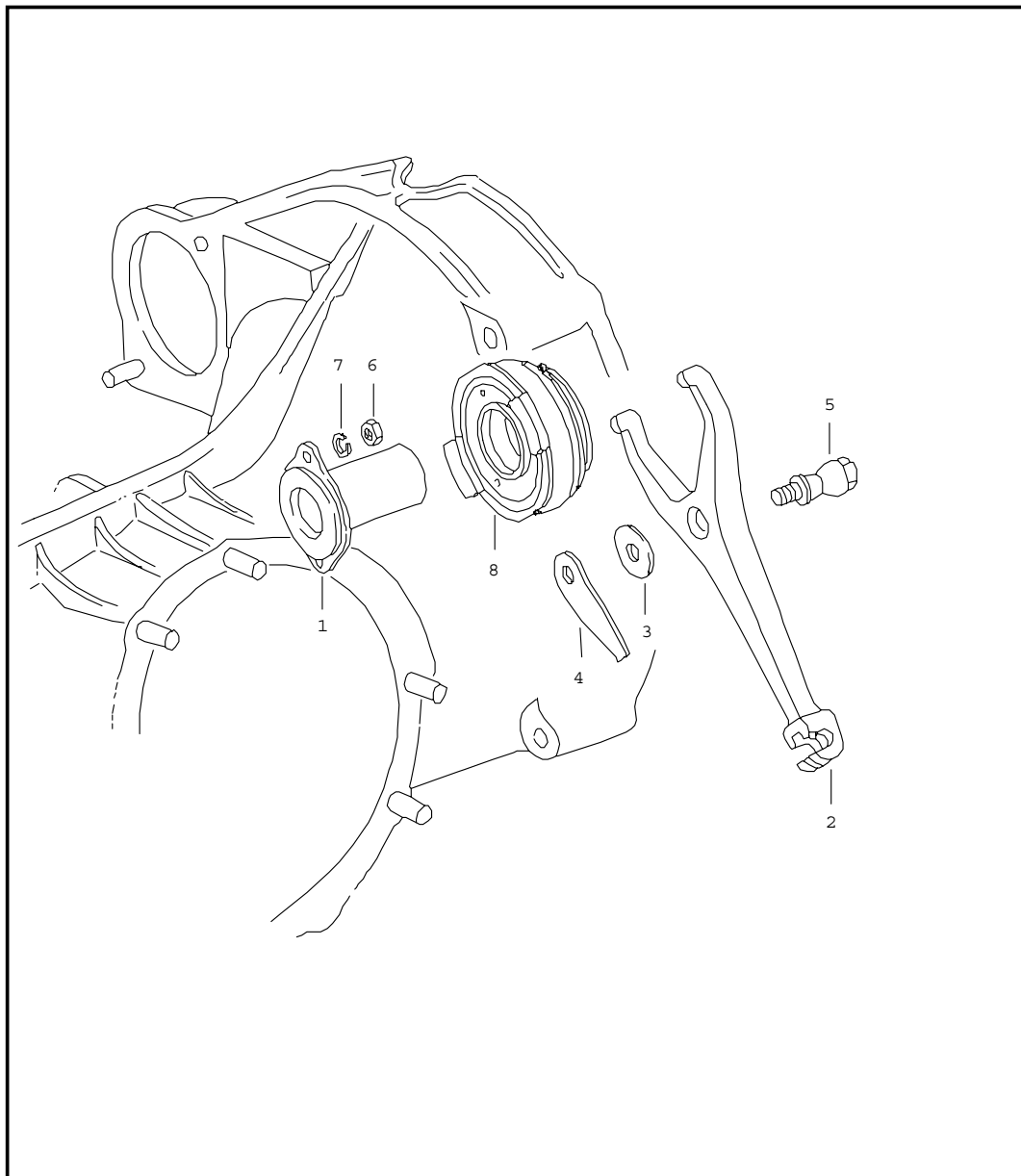


Model	Year	MG	SG	Illustration	Restrictions	Update	13:10	05.04.2005	PORSCHE	PET	PORSCHE
911	73	3	01	301-00		187					



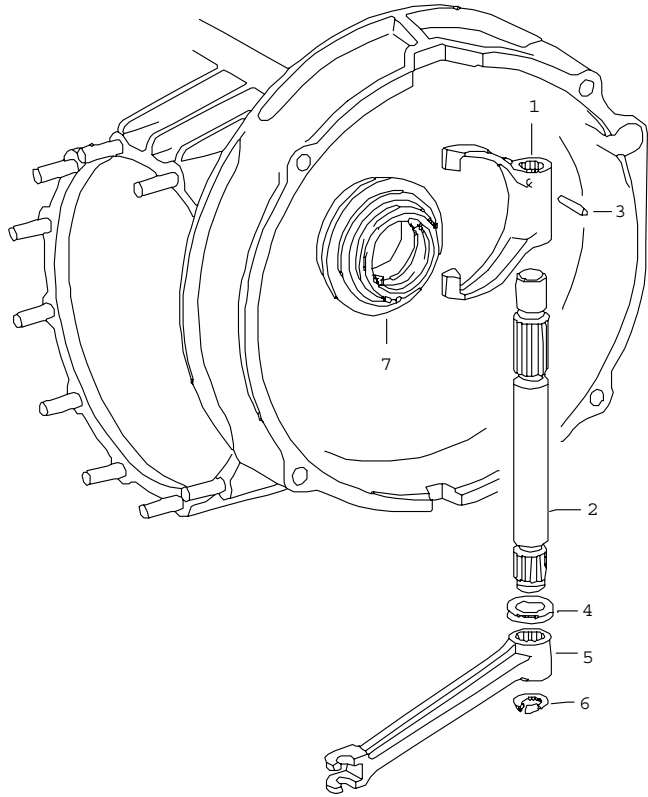
Pos	Part Number	Name	Remarks	Qty	Model
		clutch			
1	911 116 001 05	pressure plate	-71	1	911 T/E/S
(1)	915 116 001 10	pressure plate	72-	1	911 T-E/S 911 T-V 911 T-K
(1)	915 116 001 14	pressure plate	72-	1	CARRERA 2.7
2	911 116 011 04	clutch plate	70	1	911 T/E/S
(2)	911 116 011 02	clutch plate	71	1	911 T/E/S
(2)	915 116 011 14	clutch plate	72-	1	911 T-E/S 911 T-V CARRERA 2.7 911 T-K
3	900 027 015 02	lock ring B 8		9	
4	900 067 090 02	hexagon-head bolt M 8 X 42		9	
- - - E N D - - -					

Model	Year	MG	SG	Illustration	Restrictions	Update	13:10	05.04.2005	PORSCHE	PET	PORSCHE
911	73	3	01	301-05		187					



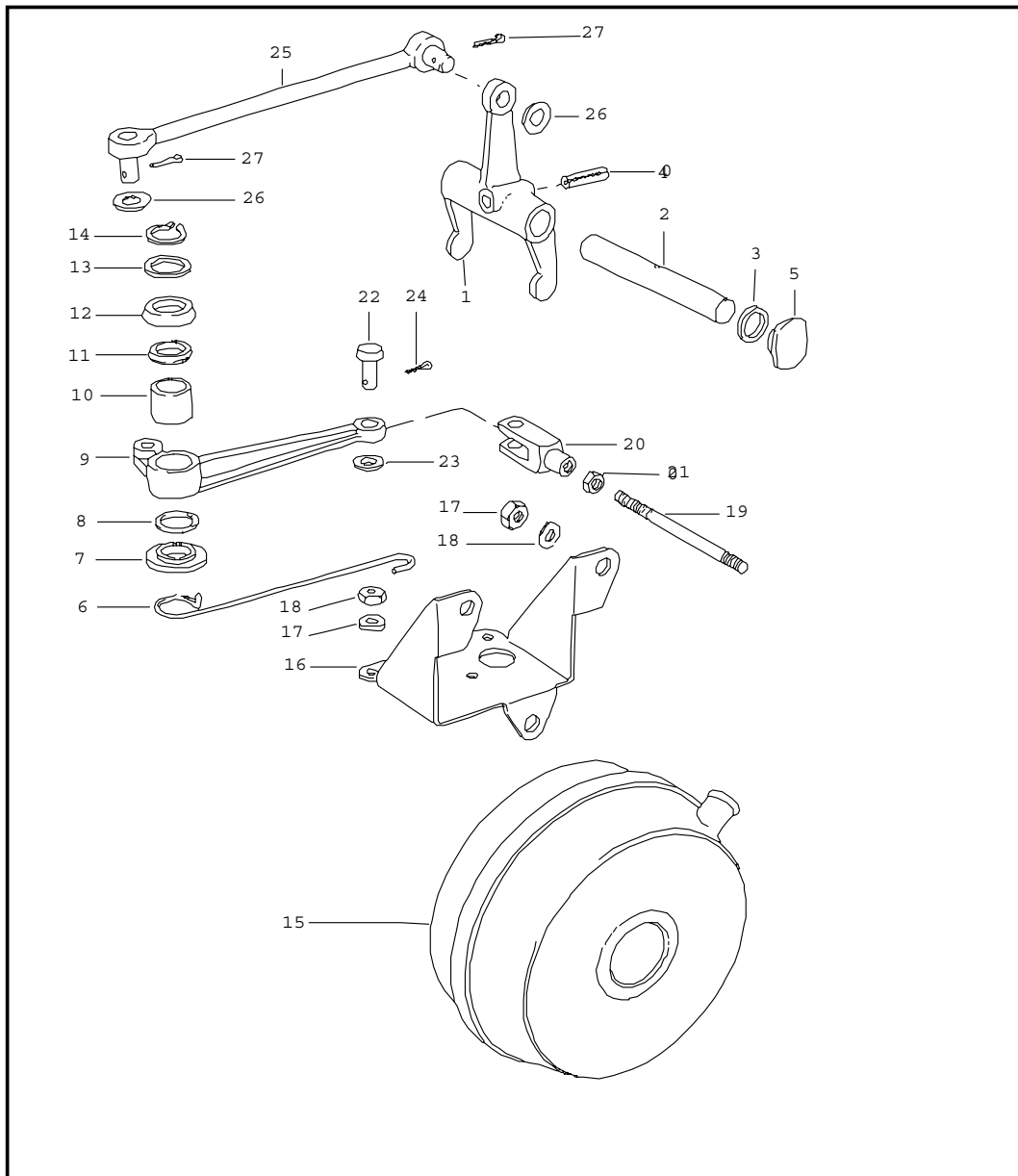
Pos	Part Number	Name	Remarks	Qty	Model
		clutch release	-71		
1	911 116 087 00	guide tube		1	
2	911 116 712 01	release fork		1	
3	911 116 743 01	washer		1	
4	911 116 774 01	leaf spring		1	
5	911 116 772 11	ball pin		1	
6	900 076 010 02	hexagon nut M 6		2	
7	900 027 014 01	lock ring B 6		2	
8	911 116 081 02	clutch release bearing		1	
		- - - E N D - - -			

Model	Year	MG	SG	Illustration	Restrictions	Update	13:10	05.04.2005	PORSCHE	PET	PORSCHE
911	73	3	01	301-10		187					



Pos	Part Number	Name	Remarks	Qty	Model
		clutch release	72-		
1	915 116 712 01	release fork		1	
2	E 915 116 133 03	shaft		1	
3	900 095 050 00	tensioning sleeve 4 X 26		1	
4	915 301 139 00	sealing ring		1	
5	E 915 116 713 01	clutch release lever		1	
6	N 012 418 1	circlip 18 X 1,2		1	
7	915 116 082 80	clutch release bearing		1	
		- - - E N D - - -			

Model	Year	MG	SG	Illustration	Restrictions	Update	13:10	05.04.2005	PORSCHE	PET	PORSCHE
911	73	3	01	301-15		187					

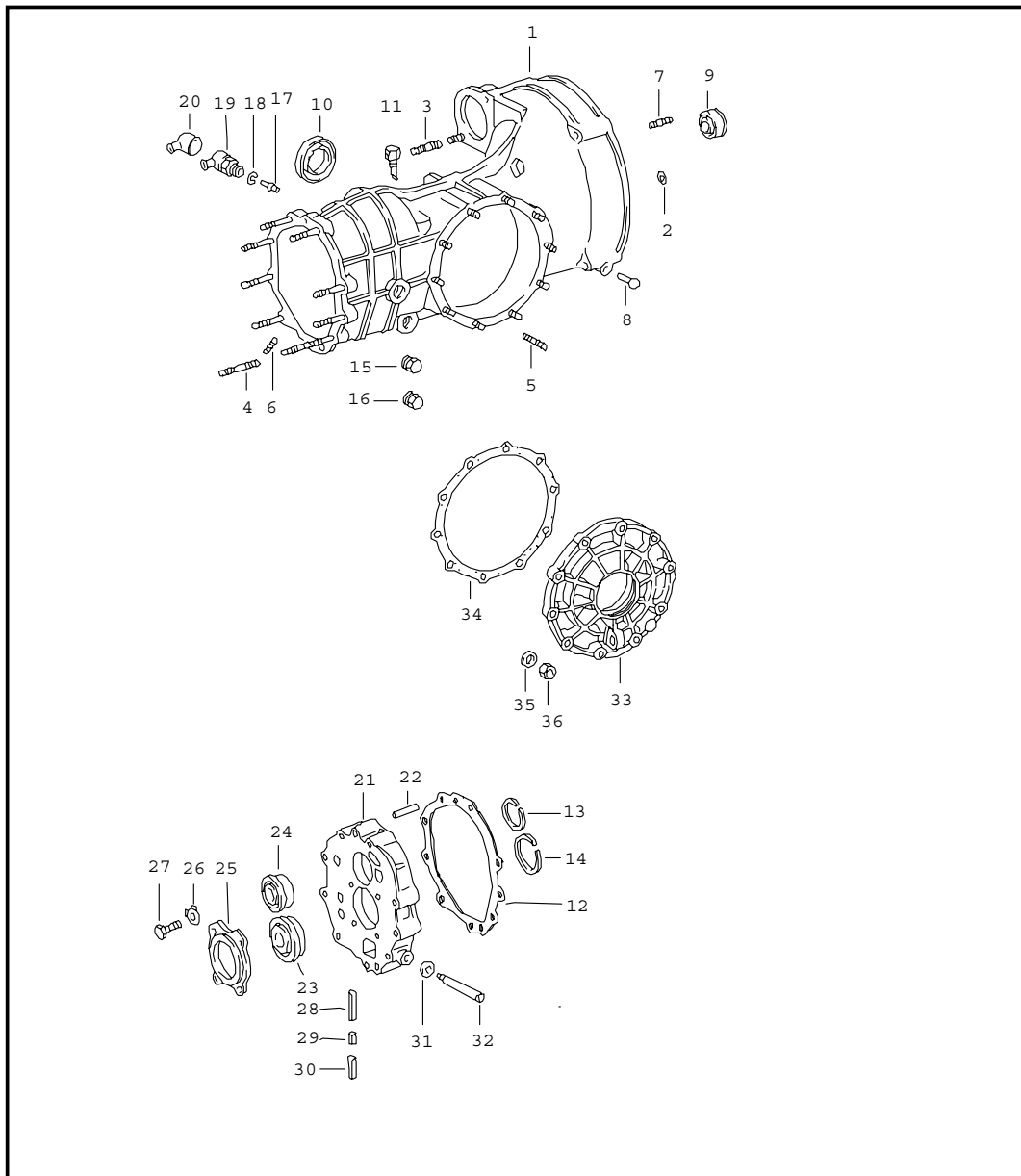


Pos	Part Number	Name	Remarks	Qty	Model
		clutch release sportomatic	-71 72-		911 T/E 911 T-E/E/S 911 T-V CARRERA 2.7
1	905 116 711 01	clutch release lever		1	
2	E 905 116 709 00	clutch lever shaft		1	
3	E 905 116 712 00	spacer ring		2	
4	900 095 013 00	tensioning sleeve 4 X 20		1	
5	905 116 713 00	cap		2	
6	905 116 714 00	spring		1	
7	E 905 116 708 00	washer		1	
8	999 701 169 40	o-ring		1	
9	905 116 071 00	intermediate shift lever		1	
10	905 116 701 01	bush		1	
11	E 905 116 719 01	spacer		1	
12	999 704 019 50	sleeve T 25 - 1		1	
13	900 234 006 02	shim 15 X 22 X 1		1	
14	N 012 415 1	circlip 15 X 1		1	
15	905 116 721 01	servo-motor 135 X 60		1	
16	E 905 116 715 10	servo-motor support	-71 72-	1	911 T/E 911 T-V
(16)	925 116 715 00	servo-motor support	72-	1	911 T-E/E/S CARRERA 2.7
17	900 076 025 02	hexagon nut M 8		6	
18	900 027 005 01	lock ring A 8		6	
19	905 116 716 00	pull rod		1	
20	900 166 002 02	clevis G 6 X 24		1	

Model	Year	MG	SG	Illustration	Restrictions	Update	13:10	05.04.2005	PORSCHE	PET	PORSCHE
911	73	3	01	301-15		187					

Pos	Part Number	Name	Remarks	Qty	Model	Pos	Part Number	Name	Remarks	Qty	Model
21	900 076 010 02	hexagon nut M 6		1							
22	905 116 717 00	bolt for pull rod		1							
23	900 089 005 02	washer 6		1							
24	900 021 002 00	cotter pin 1,5 X 10		1							
25	905 116 070 01	push rod	-71 72-	1	911 T/E 911 T-V						
(25)	925 116 751 04	push rod	72-	1	911 T-E/E/S CARRERA 2.7						
26	900 025 007 02	washer 8,4		2							
27	900 021 008 00	cotter pin 2 X 15		2							
		- - - E N D - - -									

Model	Year	MG	SG	Illustration	Restrictions	Update	13:10	05.04.2005	PORSCHE	PET	PORSCHE
911	73	3	02	302-00		187					



Pos	Part Number	Name	Remarks	Qty	Model
		replacement transmission case transmission case chilled casting	-70		911 T/E/S
1	E 901 301 010 02	transmission case G 509 0001 >> 509 0462 G 519 0001 >> 519 1141 G 519 5001 >> 519 5209 G 709 0001 >> 709 0223 G 719 0001 >> 719 2526 G 739 0001 >> 739 0002 G 739 1001 >> 739 1001 G 739 2001 >> 739 2007 G 739 3001 >> 739 3003 G 739 4001 >> 739 4004		1	902/04 902/05 902/06 901/06 901/07 901/75 901/76 901/77 901/78 901/79
-	E 999 504 040 02	bush M 8		1	
2	E 901 116 773 01	sealing washer G 509 0001 >> 509 0462 G 519 0001 >> 519 1141 G 519 5001 >> 519 5209 G 709 0001 >> 709 0223 G 719 0001 >> 719 2526 G 739 0001 >> 739 0002 G 739 1001 >> 739 1001 G 739 2001 >> 739 2007 G 739 3001 >> 739 3003 G 739 4001 >> 739 4004		1	902/04 902/05 902/06 901/06 901/07 901/75 901/76 901/77 901/78 901/79
3	E 900 061 014 02	stud BM 10 X 22		1	
4	900 061 012 01	stud BM 8 X 50 G 509 0001 >> 509 0462 G 519 0001 >> 519 1141 G 519 5001 >> 519 5209 G 709 0001 >> 709 0223 G 719 0001 >> 719 2526 G 739 0001 >> 739 0002 G 739 1001 >> 739 1001 G 739 2001 >> 739 2007 G 739 3001 >> 739 3003 G 739 4001 >> 739 4004		9	902/04 902/05 902/06 901/06 901/07 901/75 901/76 901/77 901/78 901/79

Model	Year	MG	SG	Illustration	Restrictions	Update	13:10	05.04.2005	PORSCHE	PET	PORSCHE
911	73	3	02	302-00		187					

Pos	Part Number	Name	Remarks	Qty	Model	Pos	Part Number	Name	Remarks	Qty	Model
5	900 061 007 01	stud BM 8 X 22 G 509 0001 >> 509 0462 G 519 0001 >> 519 1141 G 519 5001 >> 519 5209 G 709 0001 >> 709 0223 G 719 0001 >> 719 2526 G 739 0001 >> 739 0002 G 739 1001 >> 739 1001 G 739 2001 >> 739 2007 G 739 3001 >> 739 3003 G 739 4001 >> 739 4004		10	902/04 902/05 902/06 901/06 901/07 901/75 901/76 901/77 901/78 901/79	12	* 901 301 191 01	gasket 0,1 MM G 509 0001 >> 509 0462 G 519 0001 >> 519 1141 G 519 5001 >> 519 5209 G 709 0001 >> 709 0223 G 719 0001 >> 719 2526 G 739 0001 >> 739 0002 G 739 1001 >> 739 1001 G 739 2001 >> 739 2007 G 739 3001 >> 739 3003 G 739 4001 >> 739 4004		X	902/04 902/05 902/06 901/06 901/07 901/75 901/76 901/77 901/78 901/79
6	900 061 057 02	stud BM 8 X 15		2		(12)	* 901 301 191 02	gasket 0,15 MM G 509 0001 >> 509 0462 G 519 0001 >> 519 1141 G 519 5001 >> 519 5209 G 709 0001 >> 709 0223 G 719 0001 >> 719 2526 G 739 0001 >> 739 0002 G 739 1001 >> 739 1001 G 739 2001 >> 739 2007 G 739 3001 >> 739 3003 G 739 4001 >> 739 4004		X	902/04 902/05 902/06 901/06 901/07 901/75 901/76 901/77 901/78 901/79
7	E 999 062 001 02	stud BM 6 X 10		2				G 509 0001 >> 509 0462 G 519 0001 >> 519 1141 G 519 5001 >> 519 5209 G 709 0001 >> 709 0223 G 719 0001 >> 719 2526 G 739 0001 >> 739 0002 G 739 1001 >> 739 1001 G 739 2001 >> 739 2007 G 739 3001 >> 739 3003 G 739 4001 >> 739 4004			
8	E 900 093 005 02	grooved nail 6 X 20 G 509 0001 >> 509 0462 G 519 0001 >> 519 1141 G 519 5001 >> 519 5209 G 709 0001 >> 709 0223 G 719 0001 >> 719 2526 G 739 0001 >> 739 0002 G 739 1001 >> 739 1001 G 739 2001 >> 739 2007 G 739 3001 >> 739 3003 G 739 4001 >> 739 4004		1	902/04 902/05 902/06 901/06 901/07 901/75 901/76 901/77 901/78 901/79	(12)	* 901 301 191 03	gasket 0,2 MM G 509 0001 >> 509 0462 G 519 0001 >> 519 1141 G 519 5001 >> 519 5209 G 709 0001 >> 709 0223 G 719 0001 >> 719 2526 G 739 0001 >> 739 0002 G 739 1001 >> 739 1001 G 739 2001 >> 739 2007 G 739 3001 >> 739 3003 G 739 4001 >> 739 4004		X	902/04 902/05 902/06 901/06 901/07 901/75 901/76 901/77 901/78 901/79
9	* 999 113 048 50	sealing ring		1				G 509 0001 >> 509 0462 G 519 0001 >> 519 1141 G 519 5001 >> 519 5209 G 709 0001 >> 709 0223 G 719 0001 >> 719 2526 G 739 0001 >> 739 0002 G 739 1001 >> 739 1001 G 739 2001 >> 739 2007 G 739 3001 >> 739 3003 G 739 4001 >> 739 4004			
10	* 999 113 058 50	radial sealing ring 45 X 65 X 10/1 G 509 0001 >> 509 0462 G 519 0001 >> 519 1141 G 519 5001 >> 519 5209 G 709 0001 >> 709 0223 G 719 0001 >> 719 2526 G 739 0001 >> 739 0002 G 739 1001 >> 739 1001 G 739 2001 >> 739 2007 G 739 3001 >> 739 3003 G 739 4001 >> 739 4004		2	902/04 902/05 902/06 901/06 901/07 901/75 901/76 901/77 901/78 901/79	13	E 999 042 301 01	snap ring SB 52		2	
						14	999 041 305 01	snap ring SB 79		1	
						15	999 064 019 02	screw plug		1	
11	904 301 071 00	bleeder		1		16	999 064 020 02	screw plug with magnet		1	
						17	901 303 017 01	cam follower for switch back-up light		1	
						18	N 012 432 1	lock washer 2,3		1	

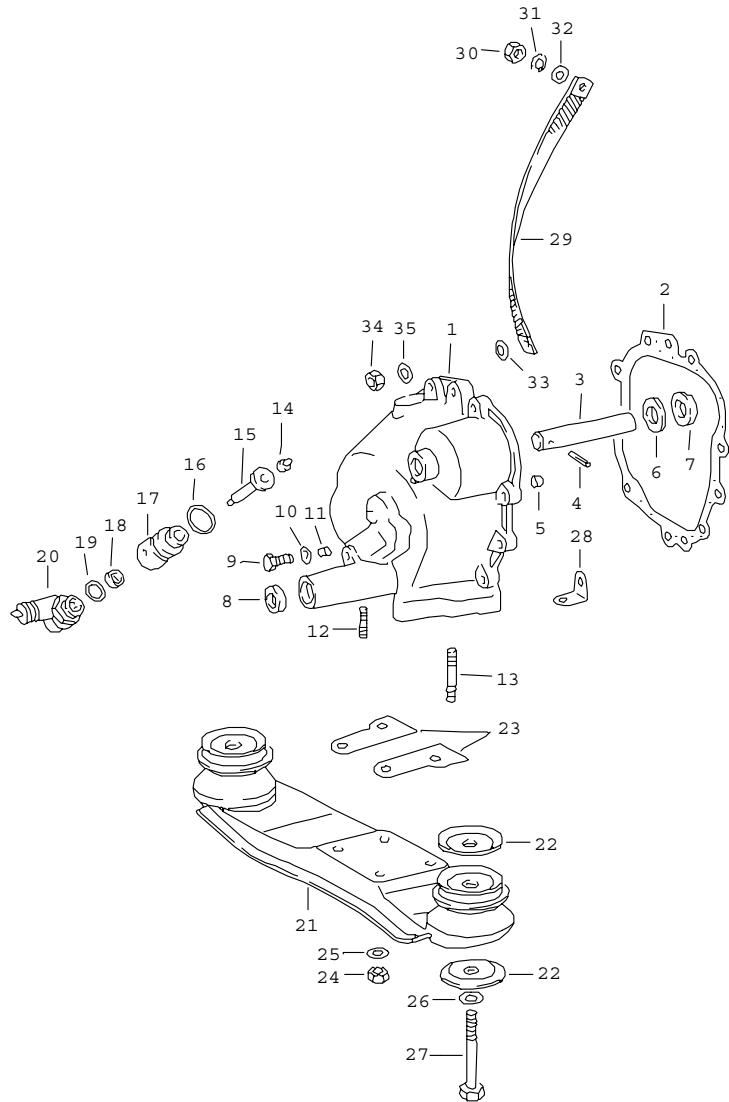
Model	Year	MG	SG	Illustration	Restrictions	Update	13:10	05.04.2005	PORSCHE	PET	PORSCHE
911	73	3	02	302-00		187					

Pos	Part Number	Name	Remarks	Qty	Model	Pos	Part Number	Name	Remarks	Qty	Model
19	914 613 541 02	back-up light switch without protection cap		1		27	N 010 239 11	hexagon-head bolt M 8 X 18		4	
20	914 613 491 00	protection cap		1				G 509 0001 >> 509 0462			902/04
21	E 901 301 221 01	intermediate plate		1				G 519 0001 >> 519 1141			902/05
		G 509 0001 >> 509 0462			902/04			G 519 5001 >> 519 5209			902/06
		G 519 0001 >> 519 1141			902/05			G 709 0001 >> 709 0223			901/06
		G 519 5001 >> 519 5209			902/06			G 719 0001 >> 719 2526			901/07
		G 709 0001 >> 709 0223			901/06			G 739 0001 >> 739 0002			901/75
		G 719 0001 >> 719 2526			901/07			G 739 1001 >> 739 1001			901/76
		G 739 0001 >> 739 0002			901/75			G 739 2001 >> 739 2007			901/77
		G 739 1001 >> 739 1001			901/76			G 739 3001 >> 739 3003			901/78
		G 739 2001 >> 739 2007			901/77			G 739 4001 >> 739 4004			901/79
		G 739 3001 >> 739 3003			901/78						
		G 739 4001 >> 739 4004			901/79						
22	900 012 027 00	straight pin 10 M 6 X 45		2		28	901 303 241 01	bush for gear lock detent		1	
		G 509 0001 >> 509 0462			902/04						
		G 519 0001 >> 519 1141			902/05						
		G 519 5001 >> 519 5209			902/06						
		G 709 0001 >> 709 0223			901/06						
		G 719 0001 >> 719 2526			901/07						
		G 739 0001 >> 739 0002			901/75						
		G 739 1001 >> 739 1001			901/76						
		G 739 2001 >> 739 2007			901/77						
		G 739 3001 >> 739 3003			901/78						
		G 739 4001 >> 739 4004			901/79						
23	999 052 016 00	four-point bearing		1		29	E 901 303 242 01	bush for gear lock detent		1	
24	999 053 025 00	angular-contact bearing		1		30	E 901 303 243 01	bush for gear lock detent		1	
25	901 301 251 01	tensioning plate		1		31	N 012 241 1	spring washer E 8		1	
		G 509 0001 >> 509 0462			902/04			G 509 0001 >> 509 0462			902/04
		G 519 0001 >> 519 1141			902/05			G 519 0001 >> 519 1141			902/05
		G 519 5001 >> 519 5209			902/06			G 519 5001 >> 519 5209			902/06
		G 709 0001 >> 709 0223			901/06			G 709 0001 >> 709 0223			901/06
		G 719 0001 >> 719 2526			901/07			G 719 0001 >> 719 2526			901/07
		G 739 0001 >> 739 0002			901/75			G 739 0001 >> 739 0002			901/75
		G 739 1001 >> 739 1001			901/76			G 739 1001 >> 739 1001			901/76
		G 739 2001 >> 739 2007			901/77			G 739 2001 >> 739 2007			901/77
		G 739 3001 >> 739 3003			901/78			G 739 3001 >> 739 3003			901/78
		G 739 4001 >> 739 4004			901/79			G 739 4001 >> 739 4004			901/79
26	999 039 001 00	tab washer		4		32	914 301 307 00	bolt for reverse lever		1	
		G 509 0001 >> 509 0462			902/04						
		G 519 0001 >> 519 1141			902/05						
		G 519 5001 >> 519 5209			902/06						
		G 709 0001 >> 709 0223			901/06						
		G 719 0001 >> 719 2526			901/07						
		G 739 0001 >> 739 0002			901/75						
		G 739 1001 >> 739 1001			901/76						
		G 739 2001 >> 739 2007			901/77						
		G 739 3001 >> 739 3003			901/78						
		G 739 4001 >> 739 4004			901/79						
						33	914 301 311 01	transmission cover lateral		1	
								G 509 0001 >> 509 0462			902/04
								G 519 0001 >> 519 1141			902/05
								G 519 5001 >> 519 5209			902/06
								G 709 0001 >> 709 0223			901/06
								G 719 0001 >> 719 2526			901/07
								G 739 0001 >> 739 0002			901/75
								G 739 1001 >> 739 1001			901/76
								G 739 2001 >> 739 2007			901/77
								G 739 3001 >> 739 3003			901/78
								G 739 4001 >> 739 4004			901/79

Model	Year	MG	SG	Illustration	Restrictions	Update	13:10	05.04.2005	PORSCHE	PET	PORSCHE
911	73	3	02	302-00		187					

Pos	Part Number	Name	Remarks	Qty	Model	Pos	Part Number	Name	Remarks	Qty	Model
34	* 901 301 391 01	gasket G 509 0001 >> 509 0462 G 519 0001 >> 519 1141 G 519 5001 >> 519 5209 G 709 0001 >> 709 0223 G 719 0001 >> 719 2526 G 739 0001 >> 739 0002 G 739 1001 >> 739 1001 G 739 2001 >> 739 2007 G 739 3001 >> 739 3003 G 739 4001 >> 739 4004		1	902/04 902/05 902/06 901/06 901/07 901/75 901/76 901/77 901/78 901/79						
35	N 012 241 1	spring washer B 8 G 509 0001 >> 509 0462 G 519 0001 >> 519 1141 G 519 5001 >> 519 5209 G 709 0001 >> 709 0223 G 719 0001 >> 719 2526 G 739 0001 >> 739 0002 G 739 1001 >> 739 1001 G 739 2001 >> 739 2007 G 739 3001 >> 739 3003 G 739 4001 >> 739 4004		19	902/04 902/05 902/06 901/06 901/07 901/75 901/76 901/77 901/78 901/79						
36	900 076 025 02	hexagon nut M 8 G 509 0001 >> 509 0462 G 519 0001 >> 519 1141 G 519 5001 >> 519 5209 G 709 0001 >> 709 0223 G 719 0001 >> 719 2526 G 739 0001 >> 739 0002 G 739 1001 >> 739 1001 G 739 2001 >> 739 2007 G 739 3001 >> 739 3003 G 739 4001 >> 739 4004		19	902/04 902/05 902/06 901/06 901/07 901/75 901/76 901/77 901/78 901/79						
- - - E N D - - -											

Model	Year	MG	SG	Illustration	Restrictions	Update	13:11	05.04.2005	PORSCHE	PET	PORSCHE
911	73	3	02	302-05		187					



Pos	Part Number	Name	Remarks	Qty	Model
		transmission cover transmission suspension chilled casting and die casting	-70		
1	E 901 301 031 02	transmission cover chilled casting (STIFTSCHRAUBEN LOSE) G 509 0001 >> 509 0462 G 519 0001 >> 519 1141 G 519 5001 >> 519 5209 G 709 0001 >> 709 0223 G 719 0001 >> 719 2526 G 739 0001 >> 739 0002 G 739 1001 >> 739 1001 G 739 2001 >> 739 2007 G 739 3001 >> 739 3003 G 739 4001 >> 739 4004		1	902/04 902/05 902/06 901/06 901/07 901/75 901/76 901/77 901/78 901/79
(1)	901 301 031 12	transmission cover die casting G 700 0001 >> 700 9999 G 710 0001 >> 710 9999 G 770 0001 >> 770 3000 G 730 9101 >> 730 9200 G 730 9201 >> 730 9300 G 730 9301 >> 730 9400 G 730 9401 >> 730 9500 G 730 9501 >> 730 9600 G 720 0001 >> 720 9999		1	911.300/00 911.300/01 911.300/01 911.300/80 911.300/81 911.300/82 911.300/83 911.300/84 905.300/20
2	* 901 301 392 01	gasket chilled casting		1	
(2)	* 901 301 392 12	gasket die casting		1	
3	E 901 302 255 01	bolt for reverse idler gear		1	
4	900 095 019 01	tensioning sleeve 5 X 30		1	
5	E 901 318 244 01	bearing sleeve		1	
6	901 302 296 01	thrust washer		1	
7	901 302 266 01	thrust washer		1	
8	* 900 112 001 50	radial sealing ring B 15 X 24 X 7 chilled casting		1	
(8)	* 999 113 185 40	shaft seal A 15 X 24 X 7 die casting		1	

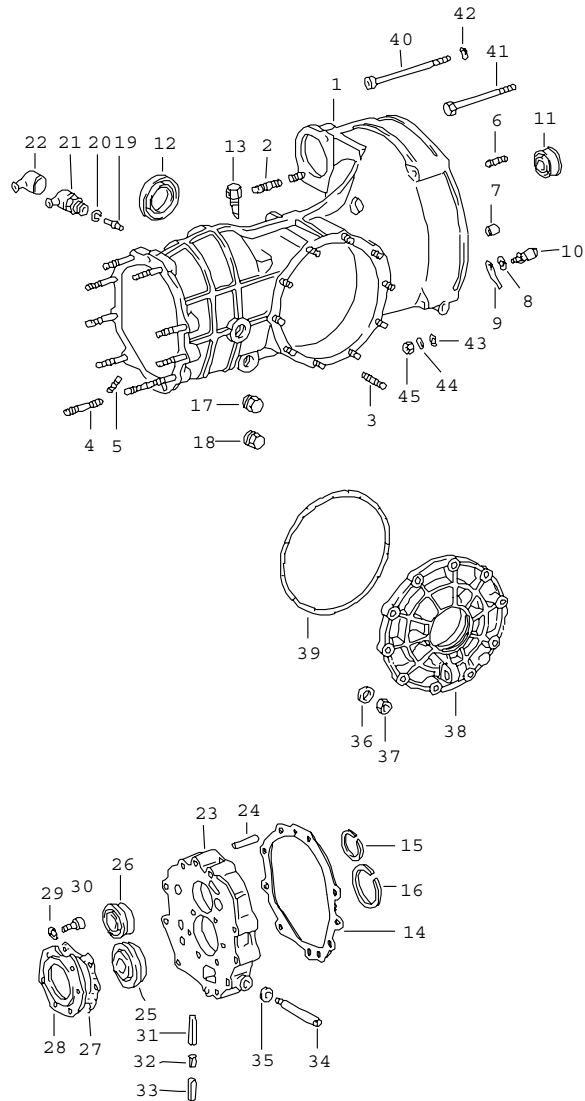
Model	Year	MG	SG	Illustration	Restrictions	Update	13:11	05.04.2005	PORSCHE	PET	PORSCHE
911	73	3	02	302-05		187					

Pos	Part Number	Name	Remarks	Qty	Model	Pos	Part Number	Name	Remarks	Qty	Model
9	901 318 272 03	hexagon-head bolt die casting		1		12	900 061 057 01	stud BM 8 X 15		4	
(9) E	901 318 272 02	hexagon-head bolt chilled casting		1				G 509 0001 >> 509 0462			902/04
		G 519 0001 >> 519 1141			902/05			G 519 0001 >> 519 1141			902/05
		G 519 5001 >> 519 5209			902/06			G 519 5001 >> 519 5209			902/06
		G 709 0001 >> 709 0223			901/06			G 709 0001 >> 709 0223			901/06
		G 719 0001 >> 719 2526			901/07			G 719 0001 >> 719 2526			901/07
		G 739 0001 >> 739 0002			901/75			G 739 0001 >> 739 0002			901/75
		G 739 1001 >> 739 1001			901/76			G 739 1001 >> 739 1001			901/76
		G 739 2001 >> 739 2007			901/77			G 739 2001 >> 739 2007			901/77
		G 739 3001 >> 739 3003			901/78			G 739 3001 >> 739 3003			901/78
		G 739 4001 >> 739 4004			901/79			G 739 4001 >> 739 4004			901/79
10	N 012 241 1	spring washer B 8		1		(12) E	999 062 005 02	stud BM 8 X 18 die casting		2	
		chilled casting				13	900 061 006 01	stud BM 8 X 20		2	
		G 509 0001 >> 509 0462			902/04			G 509 0001 >> 509 0462			902/04
		G 519 0001 >> 519 1141			902/05			G 519 0001 >> 519 1141			902/05
		G 519 5001 >> 519 5209			902/06			G 519 5001 >> 519 5209			902/06
		G 709 0001 >> 709 0223			901/06			G 709 0001 >> 709 0223			901/06
		G 719 0001 >> 719 2526			901/07			G 719 0001 >> 719 2526			901/07
		G 739 0001 >> 739 0002			901/75			G 739 0001 >> 739 0002			901/75
		G 739 1001 >> 739 1001			901/76			G 739 1001 >> 739 1001			901/76
		G 739 2001 >> 739 2007			901/77			G 739 2001 >> 739 2007			901/77
		G 739 3001 >> 739 3003			901/78			G 739 3001 >> 739 3003			901/78
		G 739 4001 >> 739 4004			901/79			G 739 4001 >> 739 4004			901/79
(10)	900 031 001 02	washer 8,4 die casting		1		(13)	999 062 008 02	stud BM 8 X 25 die casting		2	
11	E 999 504 003 00	threaded insert heli-coil		2		14	901 318 273 01	stop pin		1	
		chilled casting				15	901 318 333 01	stub shaft for drive shaft crown wheel 7/31		1	
		G 509 0001 >> 509 0462			902/04						
		G 519 0001 >> 519 1141			902/05						
		G 519 5001 >> 519 5209			902/06						
		G 709 0001 >> 709 0223			901/06						
		G 719 0001 >> 719 2526			901/07						
		G 739 0001 >> 739 0002			901/75						
		G 739 1001 >> 739 1001			901/76						
		G 739 2001 >> 739 2007			901/77						
		G 739 3001 >> 739 3003			901/78						
		G 739 4001 >> 739 4004			901/79						
(11)	999 504 070 00	threaded insert heli-coil		1		16	* 999 701 084 50	o-ring 25,3-2,4		1	
						17	901 318 243 12	guide bush		1	
						18	* 999 113 036 50	radial sealing ring BA-FG 10 X 18 X 6		1	
						19	914 318 261 01	sealing washer		1	
						20	911 318 029 00	v-drive complete		1	

Model	Year	MG	SG	Illustration	Restrictions	Update	13:11	05.04.2005	PORSCHE	PET	PORSCHE
911	73	3	02	302-05		187					

Pos	Part Number	Name	Remarks	Qty	Model	Pos	Part Number	Name	Remarks	Qty	Model
21	901 375 031 00	transmission carrier G 509 0001 >> 509 0462 G 519 0001 >> 519 1141 G 519 5001 >> 519 5209 G 709 0001 >> 709 0223 G 719 0001 >> 719 2526 G 739 0001 >> 739 0002 G 739 1001 >> 739 1001 G 739 2001 >> 739 2007 G 739 3001 >> 739 3003 G 739 4001 >> 739 4004		1	902/04 902/05 902/06 901/06 901/07 901/75 901/76 901/77 901/78 901/79	31	N 012 132 2	shake-proof washer A 8,4 die casting		1	
(21)	901 375 031 00	transmission carrier die casting		1		(31)	N 012 132 2	shake-proof washer A 8,4 chilled casting G 509 0001 >> 509 0462 G 519 0001 >> 519 1141 G 519 5001 >> 519 5209 G 709 0001 >> 709 0223 G 719 0001 >> 719 2526 G 739 0001 >> 739 0002 G 739 1001 >> 739 1001 G 739 2001 >> 739 2007 G 739 3001 >> 739 3003 G 739 4001 >> 739 4004		1	902/04 902/05 902/06 901/06 901/07 901/75 901/76 901/77 901/78 901/79
22	901 305 311 00	seat chilled casting		4							
(22)	901 305 311 00	seat die casting		2		32	900 025 025 02	washer 8,4 die casting		1	
23	901 375 311 00	plate die casting		2		(32)	900 025 025 02	washer B 8,4 chilled casting G 509 0001 >> 509 0462 G 519 0001 >> 519 1141 G 519 5001 >> 519 5209 G 709 0001 >> 709 0223 G 719 0001 >> 719 2526 G 739 0001 >> 739 0002 G 739 1001 >> 739 1001 G 739 2001 >> 739 2007 G 739 3001 >> 739 3003 G 739 4001 >> 739 4004		2	902/04 902/05 902/06 901/06 901/07 901/75 901/76 901/77 901/78 901/79
24	E 999 090 101 02	mid-grip nut		4							
25	900 031 001 02	washer 8,4		4							
26	900 027 017 02	lock ring B 12		2							
27	901 305 317 00	hexagon-head bolt		2							
28	E 901 423 369 00	retaining bracket chilled casting		2							
29	999 611 918 20	ground strap		1		33	999 151 022 02	washer 20 X 8,4 X 2 die casting		2	
30	900 076 030 02	hexagon nut M 8 die casting		1		34	E 999 090 101 02	mid-grip nut die casting		X	
(30)	900 076 030 02	hexagon nut M 8 chilled casting G 509 0001 >> 509 0462 G 519 0001 >> 519 1141 G 519 5001 >> 519 5209 G 709 0001 >> 709 0223 G 719 0001 >> 719 2526 G 739 0001 >> 739 0002 G 739 1001 >> 739 1001 G 739 2001 >> 739 2007 G 739 3001 >> 739 3003 G 739 4001 >> 739 4004		1	902/04 902/05 902/06 901/06 901/07 901/75 901/76 901/77 901/78 901/79	35	900 031 001 02	washer 8,4 die casting		X	
- - - E N D - - -											

Model	Year	MG	SG	Illustration	Restrictions	Update	13:11	05.04.2005	PORSCHE	PET	PORSCHE
911	73	3	02	302-10		187					



Pos	Part Number	Name	Remarks	Qty	Model
		replacement transmission transmission case die casting	-71		
1	911 301 010 00	transmission case complete		1	
		G 700 0001 >> 700 9999	-70		911.300/00
		G 710 0001 >> 710 9999			911.300/01
		G 770 0001 >> 770 3000			911.300/01
		G 730 9101 >> 730 9200			911.300/80
		G 730 9201 >> 730 9300			911.300/81
		G 730 9301 >> 730 9400			911.300/82
		G 730 9401 >> 730 9500			911.300/83
		G 730 9501 >> 730 9600			911.300/84
		G 720 0001 >> 720 9999			905.300/20
2	E 900 061 014 02	stud BM 10 X 22		1	
3	999 062 044 02	stud		10	
4	999 062 046 02	stud BM 8 X 65		9	
5	900 061 057 02	stud BM 8 X 15		2	
6	E 999 062 001 02	stud BM 6 X 10		2	
7	911 301 037 00	bush		1	
		G 700 0001 >> 700 9999	-70		911.300/00
		G 710 0001 >> 710 9999			911.300/01
		G 770 0001 >> 770 3000			911.300/01
		G 730 9101 >> 730 9200			911.300/80
		G 730 9201 >> 730 9300			911.300/81
		G 730 9301 >> 730 9400			911.300/82
		G 730 9401 >> 730 9500			911.300/83
		G 730 9501 >> 730 9600			911.300/84
		G 720 0001 >> 720 9999			905.300/20
8	911 116 743 01	washer see group 3/01/05		1	
		G 700 0001 >> 700 9999	-70		911.300/00
		G 710 0001 >> 710 9999			911.300/01
		G 770 0001 >> 770 3000			911.300/01
		G 730 9101 >> 730 9200			911.300/80
		G 730 9201 >> 730 9300			911.300/81
		G 730 9301 >> 730 9400			911.300/82
		G 730 9401 >> 730 9500			911.300/83
		G 730 9501 >> 730 9600			911.300/84
		G 720 0001 >> 720 9999			905.300/20

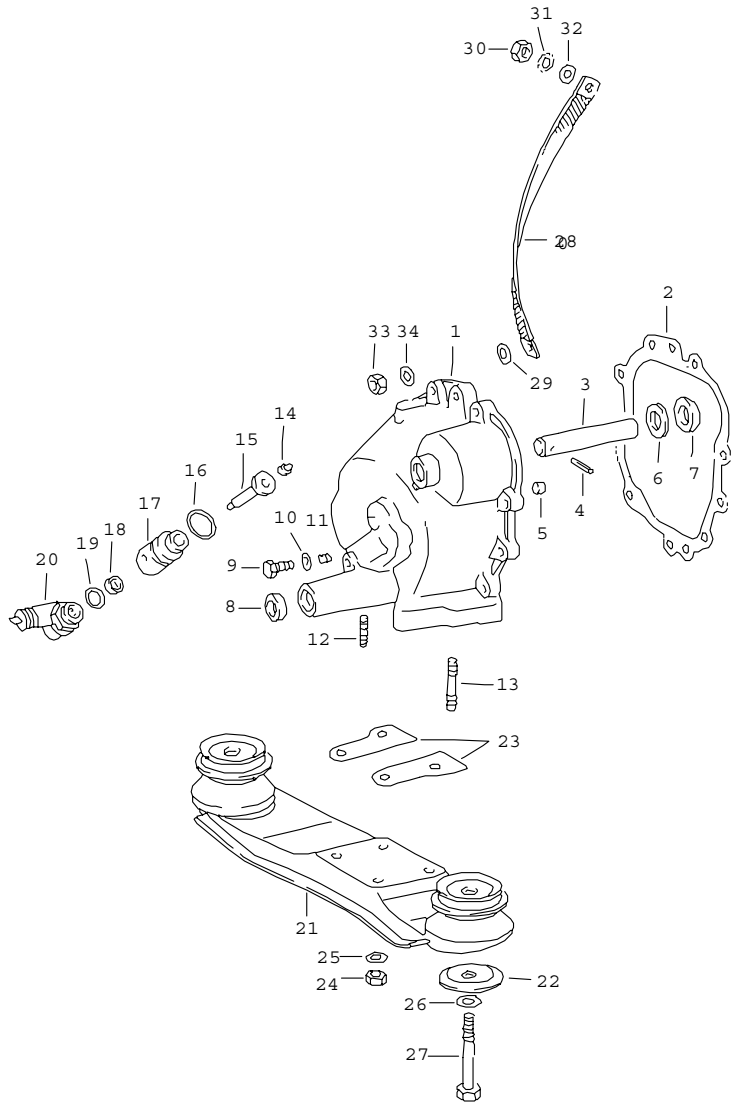
Model	Year	MG	SG	Illustration	Restrictions	Update	13:11	05.04.2005	PORSCHE	PET	PORSCHE
911	73	3	02	302-10		187					

Pos	Part Number	Name	Remarks	Qty	Model	Pos	Part Number	Name	Remarks	Qty	Model
9	911 116 774 01	leaf spring see group 3/01/05		1		22	914 613 491 00	rubber cap		1	
		G 700 0001 >> 700 9999	-70		911.300/00	23	911 301 221 00	intermediate plate		1	
		G 710 0001 >> 710 9999			911.300/01	24	E 900 012 028 00	straight pin 10 M 6 X 50		2	
		G 770 0001 >> 770 3000			911.300/01	25	999 052 016 00	four-point bearing		1	
		G 730 9101 >> 730 9200			911.300/80	26	999 053 025 00	angular-contact bearing		1	
		G 730 9201 >> 730 9300			911.300/81	27	E 901 301 255 13	plate		1	
		G 730 9301 >> 730 9400			911.300/82	28	901 301 035 13	tensioning plate		1	
		G 730 9401 >> 730 9500			911.300/83	29	900 025 007 02	washer		6	
		G 730 9501 >> 730 9600			911.300/84	30	999 509 010 00	pan-head screw		6	
		G 720 0001 >> 720 9999			905.300/20	31	901 303 241 01	bush for gear lock detent		1	
10	911 116 772 11	ball pin see group 3/01/05		1		32	E 901 303 242 01	bush for gear lock detent		1	
		G 700 0001 >> 700 9999	-70		911.300/00	33	E 901 303 243 01	bush for gear lock detent		1	
		G 710 0001 >> 710 9999			911.300/01	34	914 301 307 00	bolt for reverse lever		1	
		G 770 0001 >> 770 3000			911.300/01	35	900 031 001 02	washer 8,4		1	
		G 730 9101 >> 730 9200			911.300/80	36	900 031 001 02	washer 8,4		16	
		G 730 9201 >> 730 9300			911.300/81	37	E 999 090 101 02	mid-grip nut		19	
		G 730 9301 >> 730 9400			911.300/82	38	E 911 301 311 00	transmission cover lateral		1	
		G 730 9401 >> 730 9500			911.300/83			G 700 0001 >> 700 9999	-70		911.300/00
		G 730 9501 >> 730 9600			911.300/84			G 710 0001 >> 710 9999			911.300/01
		G 720 0001 >> 720 9999			905.300/20			G 770 0001 >> 770 3000			911.300/01
11	* 999 113 048 50	radial sealing ring		1				G 730 9101 >> 730 9200			911.300/80
12	* 999 113 130 50	radial sealing ring 45 X 68 X 10		2				G 730 9201 >> 730 9300			911.300/81
13	904 301 071 00	bleeder		1				G 730 9301 >> 730 9400			911.300/82
14	* 901 301 191 21	gasket 0,1 MM		X				G 730 9401 >> 730 9500			911.300/83
(14)	* 901 301 191 22	gasket 0,15 MM		X				G 730 9501 >> 730 9600			911.300/84
(14)	* 901 301 191 23	gasket 0,2 MM		X				G 720 0001 >> 720 9999			905.300/20
15	E 999 042 301 01	snap ring SB 52		2		39	* 113 301 185 A	gasket		1	
16	999 041 305 01	snap ring SB 79		1							
17	999 064 019 02	screw plug		1							
18	999 064 020 02	screw plug with magnet		1							
19	901 303 017 01	cam follower		1							
20	N 012 432 1	lock washer		1							
21	914 613 541 02	back-up light switch		1							

Model	Year	MG	SG	Illustration	Restrictions	Update	13:11	05.04.2005	PORSCHE	PET	PORSCHE
911	73	3	02	302-10		187					

Pos	Part Number	Name	Remarks	Qty	Model	Pos	Part Number	Name	Remarks	Qty	Model
40	E 900 067 074 02	pan-head screw M 10 X 110		1							
41	E 900 155 023 02	hexagon-head bolt M 10 X 72		1							
42	901 604 581 00	spring washer		1							
43	900 031 005 02	washer \$ 10,5		3							
44	999 523 103 01	lock washer M 10		3							
45	900 157 002 02	hexagon nut M 10		2							
		- - - E N D - - -									

Model	Year	MG	SG	Illustration	Restrictions	Update	13:11	05.04.2005	PORSCHE	PET	PORSCHE
911	73	3	02	302-15		187					

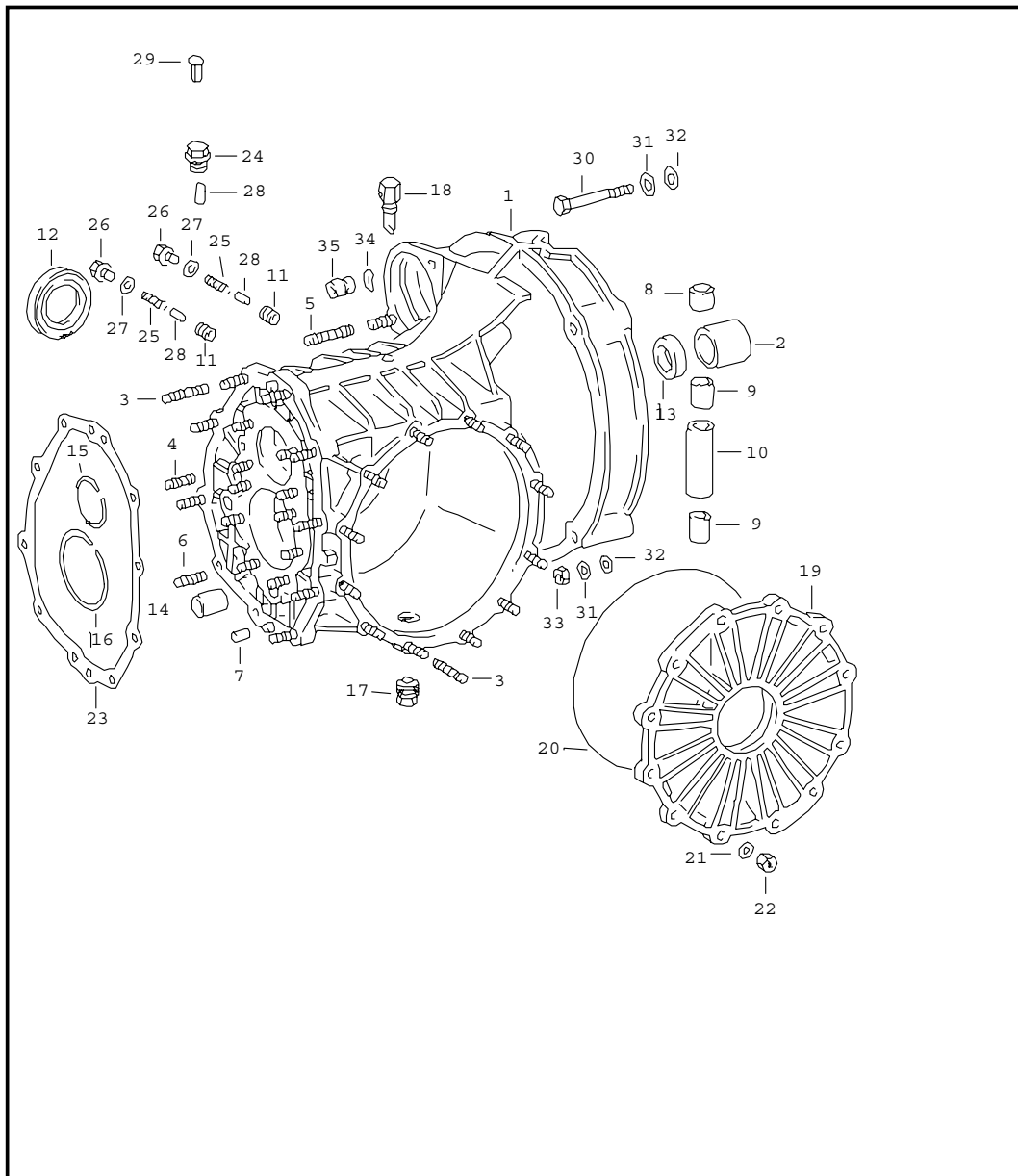


Pos	Part Number	Name	Remarks	Qty	Model
		transmission cover transmission suspension die casting	71		
1	901 301 031 12	transmission cover		1	
2	* 901 301 392 12	gasket		1	
3	E 901 302 255 01	bolt for reverse idler gear		1	
4	900 095 019 01	tensioning sleeve 5 X 30		1	
5	E 901 318 244 01	bearing sleeve		1	
6	901 302 296 01	thrust washer		1	
7	901 302 266 01	thrust washer for reverse gear		1	
8	* 999 113 185 40	shaft seal A 15 X 24 X 7		1	
9	901 318 272 03	hexagon-head bolt		1	
10	900 031 001 02	washer 8,4		1	
11	999 504 070 00	threaded insert heli-coil		1	
12	E 999 062 005 02	stud BM 8 X 18		2	
13	999 062 008 02	stud BM 8 X 25		2	
14	901 318 273 01	stop pin		1	
15	901 318 333 01	stub shaft		1	
16	* 999 701 084 50	o-ring OR 25,3 - 2,4		1	
17	901 318 243 12	guide bush		1	
18	* 999 113 036 50	radial sealing ring BA-FG 10 X 18 X 6		1	
19	914 318 261 01	sealing washer		1	
20	911 318 029 00	v-drive		1	
21	901 375 031 00	transmission carrier		1	

Model	Year	MG	SG	Illustration	Restrictions	Update	13:11	05.04.2005	PORSCHE	PET	PORSCHE
911	73	3	02	302-15		187					

Pos	Part Number	Name	Remarks	Qty	Model	Pos	Part Number	Name	Remarks	Qty	Model
22	901 305 311 00	seat		2							
23	901 375 311 00	plate		2							
24	E 999 090 101 02	mid-grip nut		4							
25	900 031 001 02	washer 8,4		4							
26	900 027 017 02	lock ring B 12		2							
27	901 305 317 00	hexagon-head bolt		2							
28	999 611 918 20	ground strap		1							
29	999 151 022 02	washer 20 X 8,4 X 2		2							
30	900 076 030 02	hexagon nut M 8		1							
31	N 012 132 2	shake-proof washer A 8,4		1							
32	900 025 025 02	washer 8,4		1							
33	E 999 090 101 02	mid-grip nut		X							
34	900 031 001 02	washer 8,4		X							
		- - - E N D - - -									

Model	Year	MG	SG	Illustration	Restrictions	Update	13:12	05.04.2005	PORSCHE	PET	PORSCHE
911	73	3	02	302-20		187					



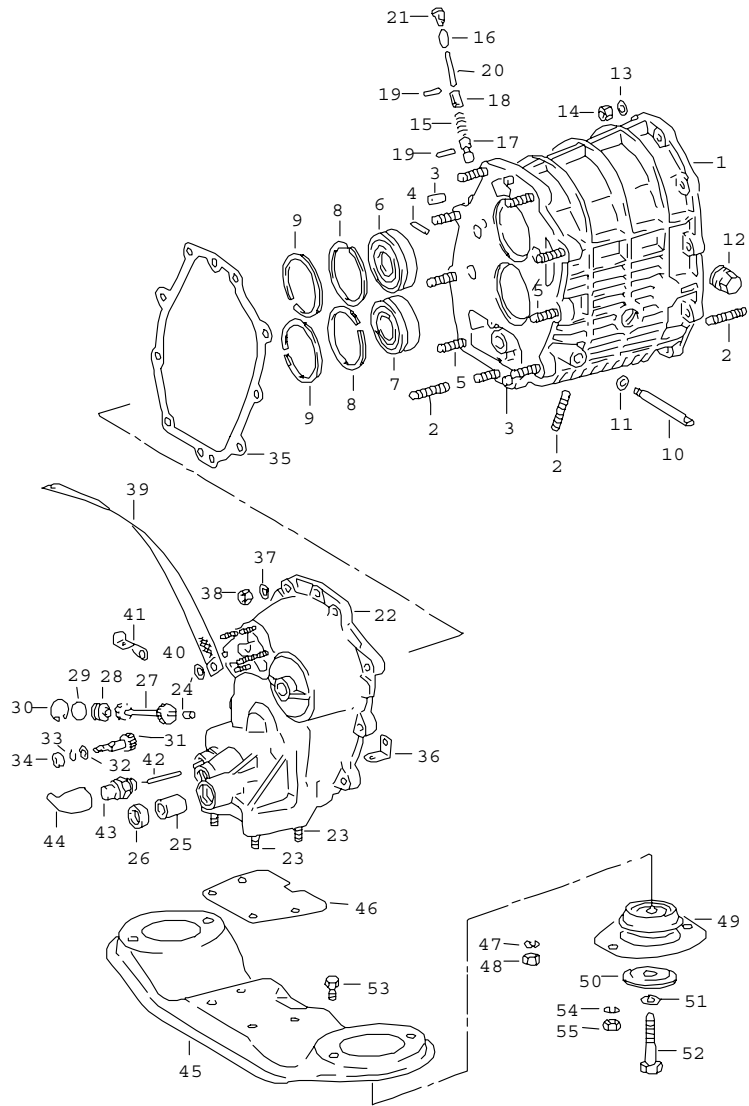
Pos	Part Number	Name	Remarks	Qty	Model
		transmission case TYP 915	72-		
1	915 301 901 03	transmission case complete		1	
2	-	guide tube		1	
3	999 062 139 02	stud BM 8 X 26		20	
4	999 062 073 02	stud BM 8 X 20		4	
5	999 062 182 02	stud BM 10 X 25		1	
6	999 062 073 02	stud BM 8 X 20		6	
7	900 012 110 00	straight pin 10 M 6 X 14		2	
8	E 915 301 125 01	bearing sleeve I		1	
9	915 301 129 00	bush for transmission		2	
10	E 915 301 133 00	pipe		1	
11	999 504 047 00	heli-coil threaded insert		2	
12	* 999 113 183 40	radial shaft seal		2	
13	* 915 302 381 00	shaft seal G 733 7575 >> G 723 0507 >> G 783 0838 >>		1	
(13)	* 999 113 182 40	shaft seal G >> 733 7374 G >> 723 0507 G >> 783 0830		1	
14	915 303 249 00	sleeve		1	
15	999 041 327 01	snap ring SB 62		1	

Model	Year	MG	SG	Illustration	Restrictions	Update	13:12	05.04.2005	PORSCHE	PET	PORSCHE
911	73	3	02	302-20		187					

Pos	Part Number	Name	Remarks	Qty	Model	Pos	Part Number	Name	Remarks	Qty	Model
16	E 915 301 122 00	snap ring SB 80 G >> 732 2781 and G >> 722 0304 not for CARRERA 2.7		1	911 T-E/E/S 911 T-V 911 T-K	33	900 157 002 02	hexagon nut M 10		2	
						34	N 012 242 3	spring washer B 10 X 18		2	
						35	E 901 104 382 01	cylinder head nut		2	
17	999 064 020 02	screw plug with magnet M 24 X 1,5		1				- - - E N D - - -			
18	904 301 071 00	bleeder		1							
19	915 301 311 00	transmission cover lateral		1							
20	* 999 701 392 40	o-ring		1							
21	900 031 001 02	washer 8,4		12							
22	E 999 090 101 02	mid-grip nut		12							
23	* 915 301 191 00	gasket		1							
24	E 900 065 014 02	screw plug M 16 X 1,5 G >> 732 8537 and G >> 722 1133 not for CARRERA 2.7		1	911 T-E/E/S 911 T-V 911 T-K						
25	915 303 232 00	spring		2							
26	900 075 352 02	hexagon-head bolt M 10 X 8		2							
27	* 900 123 066 30	sealing ring A 10 X 16		2							
28	915 303 131 00	detent short		3							
29	915 301 126 00	locking bolt		1							
30	E 900 155 023 02	hexagon-head bolt M 10 X 72		1							
31	999 523 103 01	lock washer M 10		2							
32	900 031 005 02	washer 10,5		5							

Model	Year	MG	SG	Illustration	Restrictions	Update	13:12	05.04.2005	PORSCHE	PET	PORSCHE
911	73	3	02	302-25		187					

Pos	Part Number	Name	Remarks	Qty	Model
		gear housing complete transmission case front and transmission suspension	72-		
1	915 301 902 00	gear housing complete		1	
2	999 062 139 02	stud BM 8 X 26		13	
3	900 012 110 00	straight pin 10 M 6 X 14		2	
4	-	straight pin 5 M 6 X 20		1	
5	999 062 044 02	stud BM 8 X 30		2	
6	999 110 025 00	cylindrical-roller bearing		1	
7	999 110 017 00	cylindrical-roller bearing		1	
8	900 111 001 00	snap ring SP 62		2	
9	999 152 031 01	snap ring SB 68		2	
10	914 301 307 00	bolt for reverse lever		1	
11	900 031 001 02	washer 8,4		1	
12	999 064 019 02	screw plug		1	
13	900 031 001 02	washer 8,4		10	
14	E 999 090 101 02	mid-grip nut		10	
15	915 303 232 00	spring		1	
16	915 303 131 00	detent short		1	
17	915 303 130 00	detent long		1	
18	915 303 135 00	sleeve		1	
19	900 308 009 00	spiral clamping pin 3,5 X 18		2	



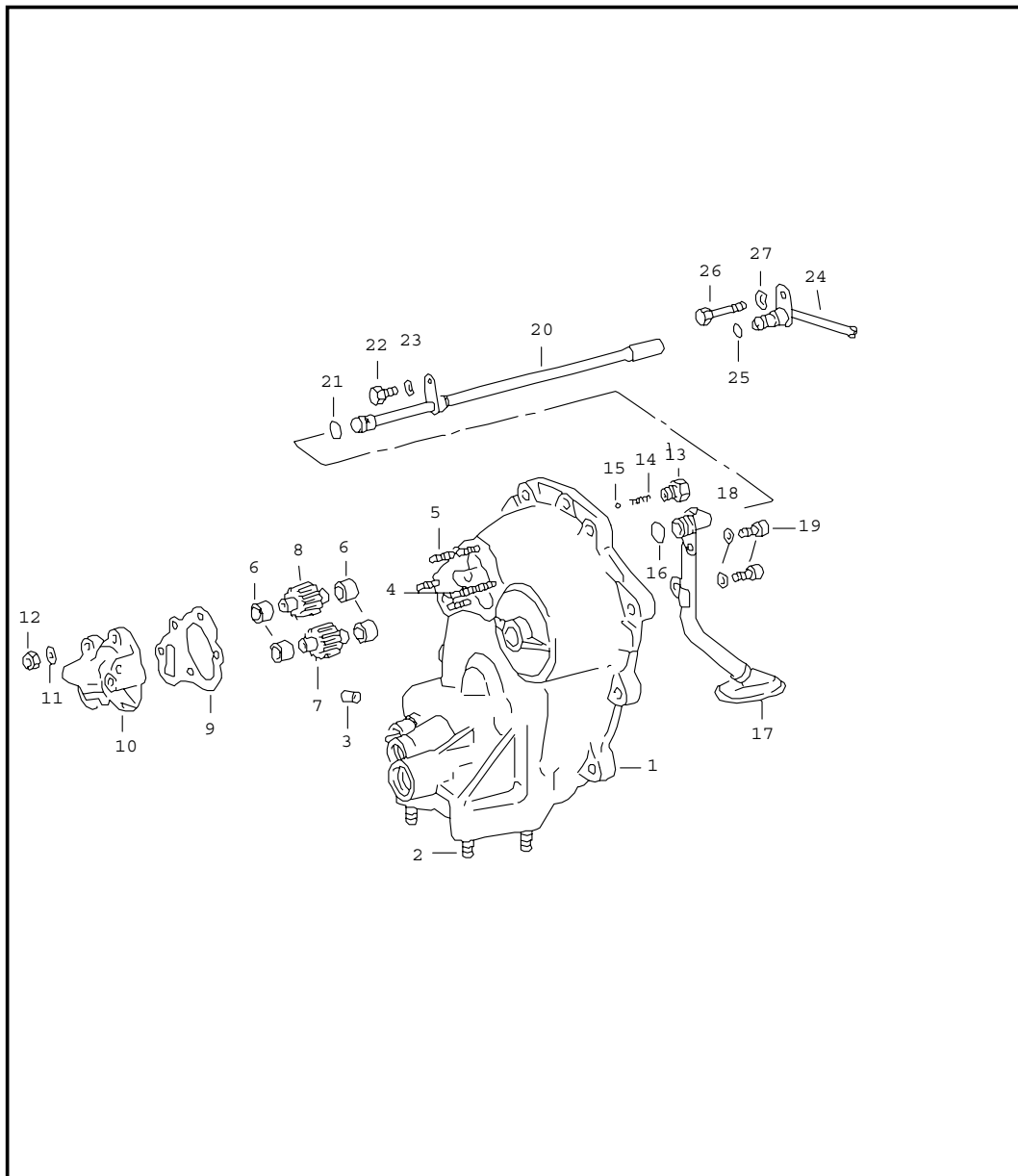
Model	Year	MG	SG	Illustration	Restrictions	Update	13:12	05.04.2005	PORSCHE	PET	PORSCHE
911	73	3	02	302-25		187					

Pos	Part Number	Name	Remarks	Qty	Model	Pos	Part Number	Name	Remarks	Qty	Model
20	915 303 271 00	pin		1		35	* 915 301 351 00	gasket for gear housing		1	
21	915 301 126 00	locking bolt		1							
22	915 301 903 01	transmission cover front complete for CARRERA 2.7 G 783 0871 >>		1		36	E 901 423 369 00	retaining bracket for clutch cable		1	
23	999 062 006 02	stud BM 8 X 20 not for CARRERA 2.7		4		37	900 031 001 02	washer 8,4		9	
24	915 318 339 00	bearing sleeve not for CARRERA 2.7		1		38	E 999 090 101 02	mid-grip nut		9	
-	999 703 385 40	plug not for CARRERA 2.7		1		39	999 611 920 20	ground strap		1	
(22)	-	transmission cover front complete for transmission with oil pump see group 3/02/30				40	999 151 022 02	washer 20 X 8,4 X 2		2	
25	915 303 249 00	sleeve		1		41	915 301 369 00	clip		1	
26	* 999 113 185 40	shaft seal A 15 X 24 X 7		1		42	915 303 145 00	cam follower		1	
27	E 915 318 033 00	shaft		1		43	914 613 541 02	back-up light switch		1	
28	915 318 307 00	dowel sleeve		1		44	914 613 491 00	protection cap		1	
29	* 999 701 349 40	o-ring		1		45	911 375 033 01	transmission carrier		1	
30	E 900 042 004 01	circlip 22 X 1		1		46	911 375 311 00	plate		1	
31	915 318 034 00	shaft wheel 4		1		47	900 031 001 02	washer 8,4		4	
32	E 915 318 337 00	thrust washer		1		48	E 999 090 101 02	mid-grip nut		4	
33	N 012 407 1	outer ring 7 X 0,8		1		49	911 375 043 00	transmission mounting		2	
34	* 999 113 175 40	shaft seal		1		50	901 305 311 00	seat		2	
						51	900 027 017 02	lock ring B 12		2	
						52	901 305 317 00	hexagon-head bolt		2	
						53	900 075 087 02	hexagon-head bolt M 8 X 16		4	
						54	900 027 015 02	lock ring B 8		4	
						55	900 076 025 02	hexagon nut M 8		4	
						-	E 911 385 035 00	protective plate stone guard for engine and transmission	M	X	

Model	Year	MG	SG	Illustration	Restrictions	Update	13:12	05.04.2005	PORSCHE	PET	PORSCHE
911	73	3	02	302-25		187					

Pos	Part Number	Name	Remarks	Qty	Model	Pos	Part Number	Name	Remarks	Qty	Model
		- - - E N D - - -									

Model	Year	MG	SG	Illustration	Restrictions	Update	13:12	05.04.2005	PORSCHE	PET	PORSCHE
911	73	3	02	302-30		187					

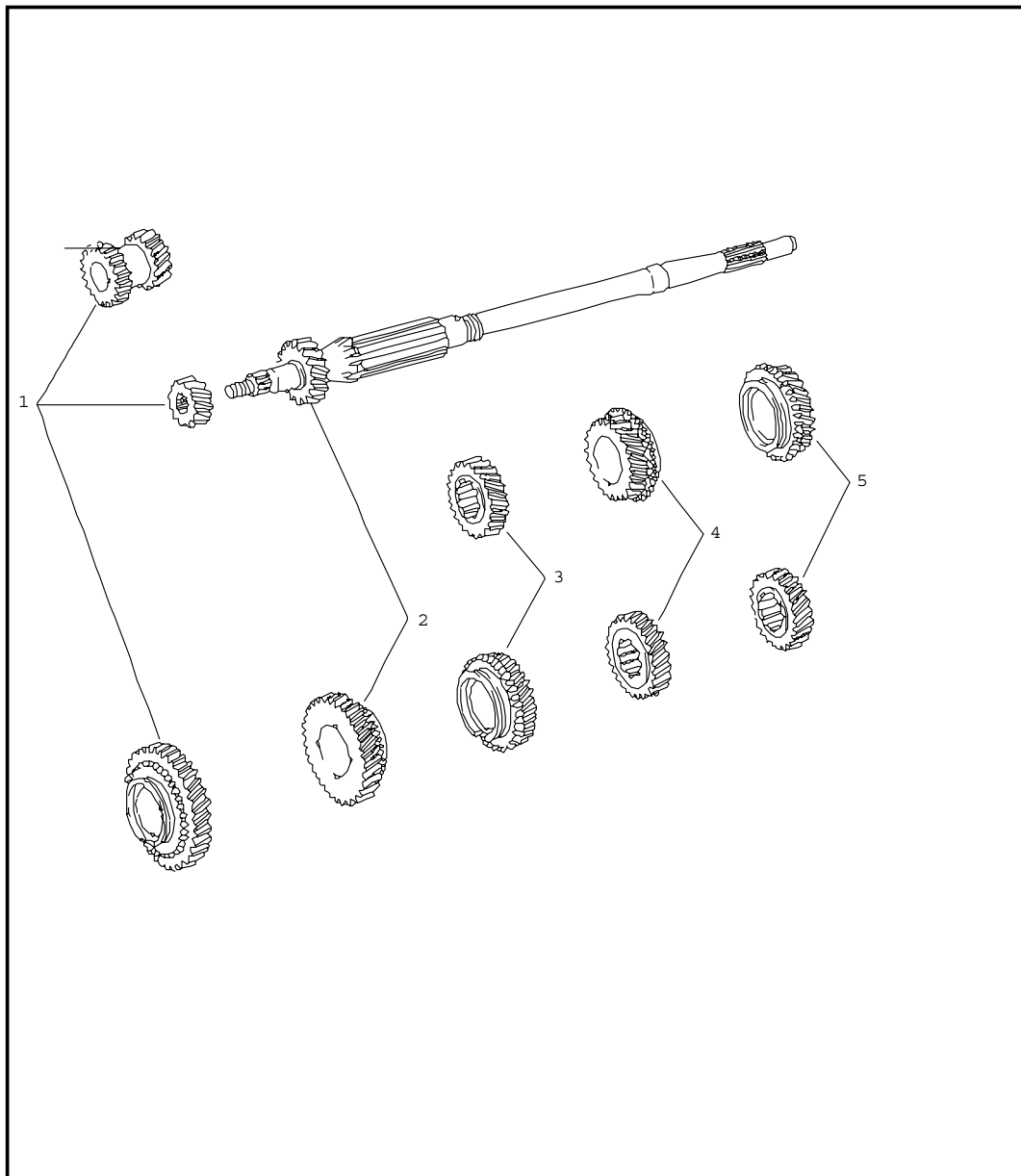


Pos	Part Number	Name	Remarks	Qty	Model
		transmission oil pump G >> 783 0870	72-		CARRERA 2.7
1	915 301 903 00	transmission cover front complete		1	
2	999 062 006 02	stud BM 8 X 20		4	
3	915 318 339 00	bearing sleeve		1	
-	999 703 385 40	plug		1	
4 E	900 061 159 02	stud BM 6 X 38		1	
5	999 062 003 02	stud BM 6 X 18		4	
6	915 307 243 01	bearing sleeve		4	
7	915 307 240 00	oil pump gear		1	
8	915 307 241 00	oil pump gear		1	
9 *	915 307 311 00	gasket 0,15 MM		X	
(9) *	915 307 311 01	gasket 0,2 MM		X	
10 E	915 307 033 00	cover oil pump complete with bearing sleeve		1	
11	900 031 011 02	washer 6,4		5	
12 E	999 090 102 02	mid-grip nut M 6		5	
13 E	915 307 319 00	screw plug		1	
14 E	915 307 321 00	spring		1	
15	N 025 667 2	ball 9 MM V		1	
16 *	999 701 012 40	ring		1	
17	915 307 035 01	pipe		1	
18	900 027 014 01	lock ring B 6		2	

Model	Year	MG	SG	Illustration	Restrictions	Update	13:12	05.04.2005	PORSCHE	PET	PORSCHE
911	73	3	02	302-30		187					

Pos	Part Number	Name	Remarks	Qty	Model	Pos	Part Number	Name	Remarks	Qty	Model
19	900 067 009 02	pan-head screw M 6 X 15		2							
20	915 307 036 01	pressure pipe		1							
21	* 999 701 281 40	o-ring		1							
22	900 075 010 02	hexagon-head bolt M 6 X 12		1							
23	900 028 008 01	spring washer B 6		1							
24	915 307 039 01	pressure pipe		1							
25	* 999 701 345 40	o-ring		1							
26	N 010 347 5	hexagon-head bolt M 6 X 35		1							
27	900 028 008 01	spring washer B6		1							
		- - - E N D - - -									

Model	Year	MG	SG	Illustration	Restrictions	Update	13:12	05.04.2005	PORSCHE	PET	PORSCHE
911	73	3	03	303-00		187					



Pos	Part Number	Name	Remarks	Qty	Model
		gear sets 5-speed transmission	-71		
		gear sets 901/07 standard	-70		
			M		911 E/S 911 T
1	911 302 903 00	gear set 1st gear Z = 11:34 (A) fixed gear wheel loose gear wheel reverse idler gear		1	
2	911 302 904 00	drive shaft and gear wheel II 2nd gear Z = 18:34 (F) drive shaft loose gear wheel		1	
3	E 901 302 909 10	gear wheel pair 3rd speed Z = 22:29 (M) fixed gear wheel loose gear wheel		1	
4	904 302 929 10	gear wheel pair 4th speed Z = 25:26 (S) loose gear wheel fixed gear wheel		1	
5	901 302 918 10	gear wheel pair 5th speed Z = 29:23 (X) loose gear wheel fixed gear wheel		1	
		gear sets 902/06 + 902.300/16 standard	-70		
1	911 302 903 00	gear set 1st gear Z = 11:34 (A) loose gear wheel fixed gear wheel reverse idler gear		1	

Model	Year	MG	SG	Illustration	Restrictions	Update	13:12	05.04.2005	PORSCHE	PET	PORSCHE
911	73	3	03	303-00		187					

Pos	Part Number	Name	Remarks	Qty	Model	Pos	Part Number	Name	Remarks	Qty	Model
2	911 302 907 00	drive shaft and gear wheel II 2nd gear Z = 18:32 (GA) fixed gear wheel loose gear wheel		1		4	904 302 929 10	gear wheel pair 4th speed Z = 25:26 (S) loose gear wheel fixed gear wheel		1	
3	904 302 916 10	gear wheel pair 3rd speed Z = 23:28 (O) fixed gear wheel loose gear wheel		1		5	901 302 918 10	gear wheel pair 5th speed Z = 29:23 (Z) loose gear wheel fixed gear wheel		1	
4	904 302 921 10	gear wheel pair 4th speed Z = 26:25 (U) loose gear wheel fixed gear wheel		1		1	911 302 903 00	gear set 1st gear Z = 11:34 (A) fixed gear wheel loose gear wheel reverse idler gear	70- M	1	911 E/S 911 T
5	901 302 918 10	gear wheel pair 5th speed Z = 29:33 (Z) loose gear wheel fixed gear wheel		1		2	911 302 907 00	drive shaft and gear wheel II 2nd gear Z = 18:32 (GA) drive shaft loose gear wheel		1	
1	911 302 903 00	gear set 1st gear Z = 11:34 (A) fixed gear wheel loose gear wheel reverse idler gear	-70 M	1	911 E/S 911 T	3	904 302 916 10	gear wheel pair 3rd speed Z = 23:28 (O) fixed gear wheel loose gear wheel		1	
2	911 302 904 00	drive shaft and gear wheel II 2nd gear Z = 18:34 (F) fixed gear wheel loose gear wheel		1		4	904 302 930 10	gear wheel pair 4th speed Z = 27:25 (V) fixed gear wheel loose gear wheel		1	
3	E 901 302 909 10	gear wheel pair 3rd speed Z = 22:29 (M) fixed gear wheel loose gear wheel		1		5	911 302 906 00	gear wheel pair 5th speed Z = 29:22 (ZA) fixed gear wheel loose gear wheel	70- M	1	911 E/S/T:M 911 S COUPE
				1				gear sets 901/75 + 901.300/80 911.300/80 standard transmiss. ratio		1	

Model	Year	MG	SG	Illustration	Restrictions	Update	13:12	05.04.2005	PORSCHE	PET	PORSCHE
911	73	3	03	303-00		187					

Pos	Part Number	Name	Remarks	Qty	Model	Pos	Part Number	Name	Remarks	Qty	Model
1	911 302 909 00	gear set 1st gear Z = 14:37 (B) loose gear wheel fixed gear wheel reverse idler gear		1		4	904 302 919 10	gear wheel pair 4th speed Z = 22:29 (M) loose gear wheel fixed gear wheel		1	
(2)	904 302 101 00	drive shaft		1		5	901 302 910 10	gear wheel pair 5th speed Z = 23:28 (O) loose gear wheel fixed gear wheel		1	
2	911 302 910 00	gear wheel pair 2nd gear Z = 18:32 (GA) fixed gear wheel loose gear wheel		1				gear sets 901/78 + 901.300/83 911.300/83 transmission ratio for fast races	70- M	1	911 E/S/T:M 911 S COUPE
3	E 901 302 909 10	gear wheel pair 3rd speed Z = 22:29 (M) fixed gear wheel loose gear wheel		1		1	911 302 914 00	gear set 1st gear Z = 15:36 (C) loose gear wheel fixed gear wheel reverse idler gear		1	
4	E 901 302 912 10	gear wheel pair 4th speed Z = 26:26 (T) loose gear wheel fixed gear wheel		1		(2)	904 302 101 00	drive shaft		1	
5	901 302 913 10	gear wheel pair 5th speed Z = 28:23 (Y) loose gear wheel fixed gear wheel		1		2	E 911 302 915 00	gear wheel pair 2nd gear Z = 20:32 (HA) fixed gear wheel loose gear wheel		1	
		gear sets 901/76 + 901.300/81 911.300/81 hill-climb transm. ratio	70- M	1	911 E/S/T:M 911 S COUPE	3	904 302 916 10	gear wheel pair 3rd speed Z = 23:28 (O) fixed gear wheel loose gear wheel		1	
1	911 302 911 00	gear set 1st gear Z = 12:34 (AA) loose gear wheel fixed gear wheel reverse idler gear		1		4	E 901 302 912 10	gear wheel pair 4th speed Z = 26:26 (T) loose gear wheel fixed gear wheel		1	
(2)	904 302 101 00	drive shaft		1		5	901 302 913 10	gear wheel pair 5th speed Z = 28:23 (Y) loose gear wheel fixed gear wheel		1	
2	911 302 912 00	gear wheel pair 2nd gear Z = 17:34 (E) fixed gear wheel loose gear wheel		1				gear sets 901/79 + 901.300/84 911.300/84 nuerburgring transm. ratio	70- M	1	911 E/S/T:M 911 S COUPE
3	901 302 908 10	gear wheel pair 3rd speed Z = 20:31 (I) fixed gear wheel loose gear wheel		1						1	

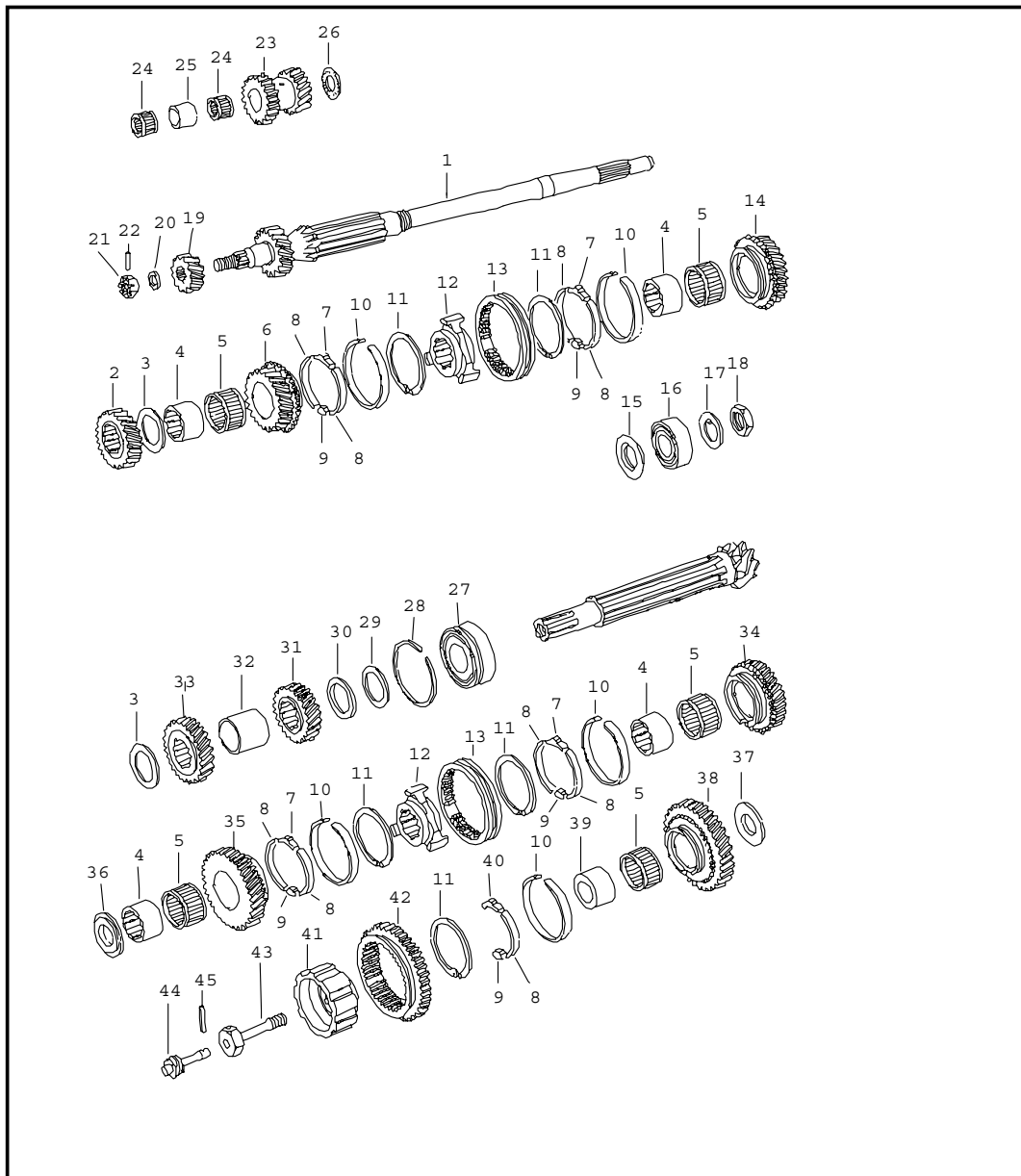
Model	Year	MG	SG	Illustration	Restrictions	Update	13:12	05.04.2005	PORSCHE	PET	PORSCHE
911	73	3	03	303-00		187					

Pos	Part Number	Name	Remarks	Qty	Model	Pos	Part Number	Name	Remarks	Qty	Model
1	911 302 909 00	gear set 1st gear Z = 14:37 (B) loose gear wheel fixed gear wheel reverse idler gear		1		4	901 302 910 10	gear wheel pair 4th speed Z = 23:28 (O) loose gear wheel fixed gear wheel		1	
(2)	904 302 101 00	drive shaft		1		5	904 302 929 10	gear wheel pair 5th speed Z = 26:26 (S) loose gear wheel fixed gear wheel		1	
2	E 911 302 915 00	gear wheel pair 2nd gear Z = 20:32 (HA) fixed gear wheel loose gear wheel		1				gear sets for - 911 S-	M	1	
3	E 901 302 909 10	gear wheel pair 3rd speed Z = 22:29 (M) fixed gear wheel loose gear wheel		1		1	911 302 911 00	gear set 1st gear Z = 12:34 (AA) loose gear wheel fixed gear wheel reverse idler gear		1	
4	901 302 911 10	gear wheel pair 4th speed Z = 25:27 (R) loose gear wheel fixed gear wheel		1		(1)	911 302 909 00	gear set 1st gear Z = 14:37 (B) loose gear wheel fixed gear wheel reverse idler gear		1	
5	904 302 930 10	gear wheel pair 5th speed Z = 27:25 (V) loose gear wheel fixed gear wheel		1		(1)	911 302 914 00	gear set 1st gear Z = 15:36 (C) loose gear wheel fixed gear wheel reverse idler gear		1	
		gear sets 901/77 + 901.300/82 911.300/82 airfield transmiss. ratio	70- M		911 E/S/T:M 911 S COUPE	(2)	904 302 101 00	drive shaft		1	
1	911 302 911 00	gear set 1st gear Z = 12:34 (AA) loose gear wheel fixed gear wheel reverse idler gear		1		2	911 302 912 00	gear wheel pair 2nd gear Z = 17:34 (E) fixed gear wheel loose gear wheel		1	
(2)	904 302 101 00	drive shaft		1		(2)	911 302 913 00	gear wheel pair 2nd gear Z = 18:34 (F) fixed gear wheel loose gear wheel		1	
2	911 302 913 00	gear wheel pair 2nd gear Z = 18:34 (F) fixed gear wheel loose gear wheel		1		(2)	911 302 910 00	gear wheel pair 2nd gear Z = 18:32 (GA) fixed gear wheel loose gear wheel		1	
3	E 904 302 927 10	gear wheel pair 3rd speed Z = 21:31 (I) fixed gear wheel loose gear wheel		1							

Model	Year	MG	SG	Illustration	Restrictions	Update	13:12	05.04.2005	PORSCHE	PET	PORSCHE
911	73	3	03	303-00		187					

Pos	Part Number	Name	Remarks	Qty	Model	Pos	Part Number	Name	Remarks	Qty	Model
(2)	E 911 302 915 00	gear wheel pair 2nd gear Z = 20:32 (HA) fixed gear wheel loose gear wheel		1		5	901 302 910 10	gear wheel pair 5th speed Z = 23:28 (O) loose gear wheel fixed gear wheel		1	
3	901 302 908 10	gear wheel pair 3rd speed Z = 20:31 (I) fixed gear wheel loose gear wheel		1		(5)	904 302 929 10	gear wheel pair 5th speed Z = 25:26 (S) loose gear wheel fixed gear wheel		1	
(3)	E 904 302 927 10	gear wheel pair 3rd speed Z = 21:31 (J) fixed gear wheel loose gear wheel		1		(5)	904 302 930 10	gear wheel pair 5th speed Z = 25:27 (V) loose gear wheel fixed gear wheel		1	
(3)	E 901 302 909 10	gear wheel pair 3rd speed Z = 22:29 (M) fixed gear wheel loose gear wheel		1		(5)	901 302 913 10	gear wheel pair 5th speed Z = 28:23 (Y) loose gear wheel fixed gear wheel		1	
(3)	904 302 916 10	gear wheel pair 3rd speed Z = 23:28 (O) fixed gear wheel loose gear wheel		1				- - - E N D - - -			
4	904 302 919 10	gear wheel pair 4th speed Z = 22:29 (M) loose gear wheel fixed gear wheel		1							
(4)	901 302 910 10	gear wheel pair 4th speed Z = 23:28 (O) loose gear wheel fixed gear wheel		1							
(4)	901 302 911 10	gear wheel pair 4th speed Z = 25:27 (R) loose gear wheel fixed gear wheel		1							
(4)	E 901 302 912 10	gear wheel pair 4th speed Z = 26:26 (T) loose gear wheel fixed gear wheel		1							

Model	Year	MG	SG	Illustration	Restrictions	Update	13:13	05.04.2005	PORSCHE	PET	PORSCHE
911	73	3	03	303-05		187					

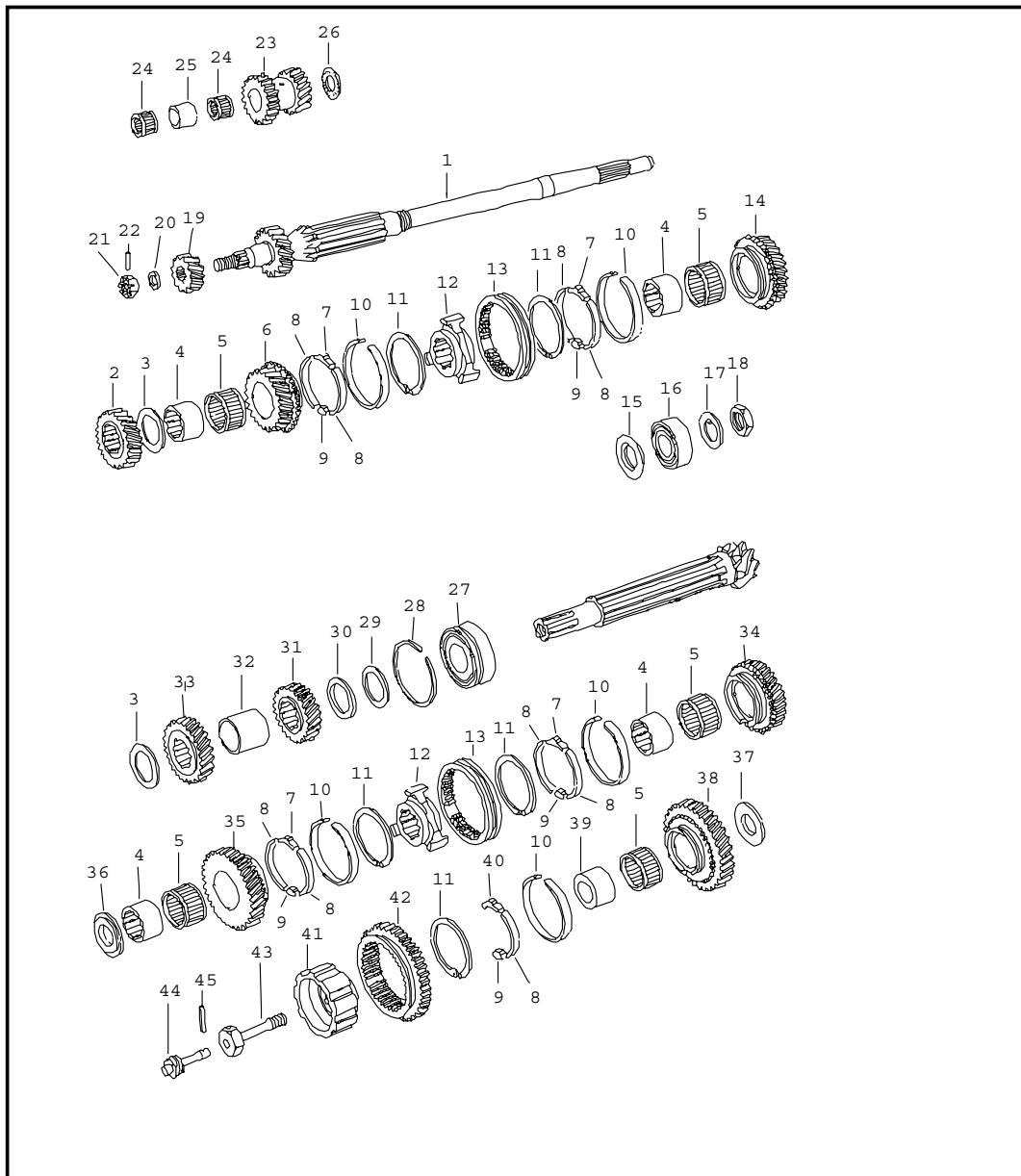


Pos	Part Number	Name	Remarks	Qty	Model
		gears and shafts 5-speed transmission	-71		
		gear sets see group 3/03/00			
1	* ---	drive shaft		1	
2	* ---	fixed gear wheel 3rd speed		1	
3	901 302 294 01	thrust washer		2	
4	E 901 302 261 01	bush for needle-roller bearing 2. - 5th speed		4	
5	999 201 104 00	needle cage 1. - 5th speed		5	
6	* ---	loose gear wheel 4th speed		1	
7	911 302 315 00	stone 2. - 5th speed		4	
8	911 302 316 00	brake band 1. - 5th speed		9	
9	911 302 317 01	stop 1. - 5th speed		5	
10	911 302 301 06	synchroniser ring 1. - 5th speed		5	
11	911 302 311 01	circlip 1. - 5th speed		5	
12	901 302 402 02	guide sleeve 2. - 5th speed		2	
13	911 302 411 10	shift sleeve 2. - 5th speed		2	
14	* ---	loose gear wheel 5th speed		1	

Model	Year	MG	SG	Illustration	Restrictions	Update	13:13	05.04.2005	PORSCHE	PET	PORSCHE
911	73	3	03	303-05		187					

Pos	Part Number	Name	Remarks	Qty	Model	Pos	Part Number	Name	Remarks	Qty	Model
15	901 302 268 01	spacer		1		35	* --- --- --- --	loose gear wheel 2nd gear		1	
16	999 110 008 00	cylindrical-roller bearing		1		36	E 901 302 269 01	thrust washer		1	
17	E 999 038 001 00	tab washer		1		37	901 302 291 01	thrust washer		1	
18	999 183 001 00	hexagon nut		1		38	* --- --- --- --	loose gear wheel 1st gear		1	
19	* --- --- --- --	fixed gear wheel 1st gear		1		39	901 302 262 01	bush for needle-roller bearing 1st gear		1	
20	E 999 031 066 00	washer 14,3 X 21,5 X 3		1		40	E 901 302 318 02	stone 1st gear		1	
21	999 079 011 02	castle nut M 14 X 1,5		1		41	901 302 401 02	guide sleeve 1st gear		1	
22	900 309 004 00	roll pin 3 X 18		1		42	E 911 302 226 00	shifting gear for 1st gear and reverse gear		1	
23	* --- --- --- --	reverse idler gear		1		43	901 302 271 01	elastic bolt		1	
24	999 201 012 00	needle cage INA K 20/17		2		44	901 318 331 01	shaft 7/31		1	
25	901 302 263 01	sleeve for reverse idler gear		1		(44)	E 901 318 331 11	shaft 6/29	-70	1	
26	999 202 001 00	axial needle bearing cage		1		45	E 900 197 002 00	tensioning sleeve 4 X 28		1	
27	999 110 007 00	cylindrical-roller bearing		1							
28	900 111 002 00	snap ring SP 72		1							
29	901 302 297 01	adjusting shim 0,25 MM		X							
(29)	901 302 297 11	adjusting shim 0,30 MM		X							
(29)	901 302 297 21	adjusting shim 0,40 MM		X							
30	901 302 298 01	spacer		1							
31	* --- --- --- --	fixed gear wheel 5th speed		1							
32	901 302 265 01	spacer sleeve		1							
33	* --- --- --- --	fixed gear wheel 4th speed		1							
34	* --- --- --- --	loose gear wheel 3rd speed		1							

Model	Year	MG	SG	Illustration	Restrictions	Update	13:13	05.04.2005	PORSCHE	PET	PORSCHE
911	73	3	03	303-05		187					

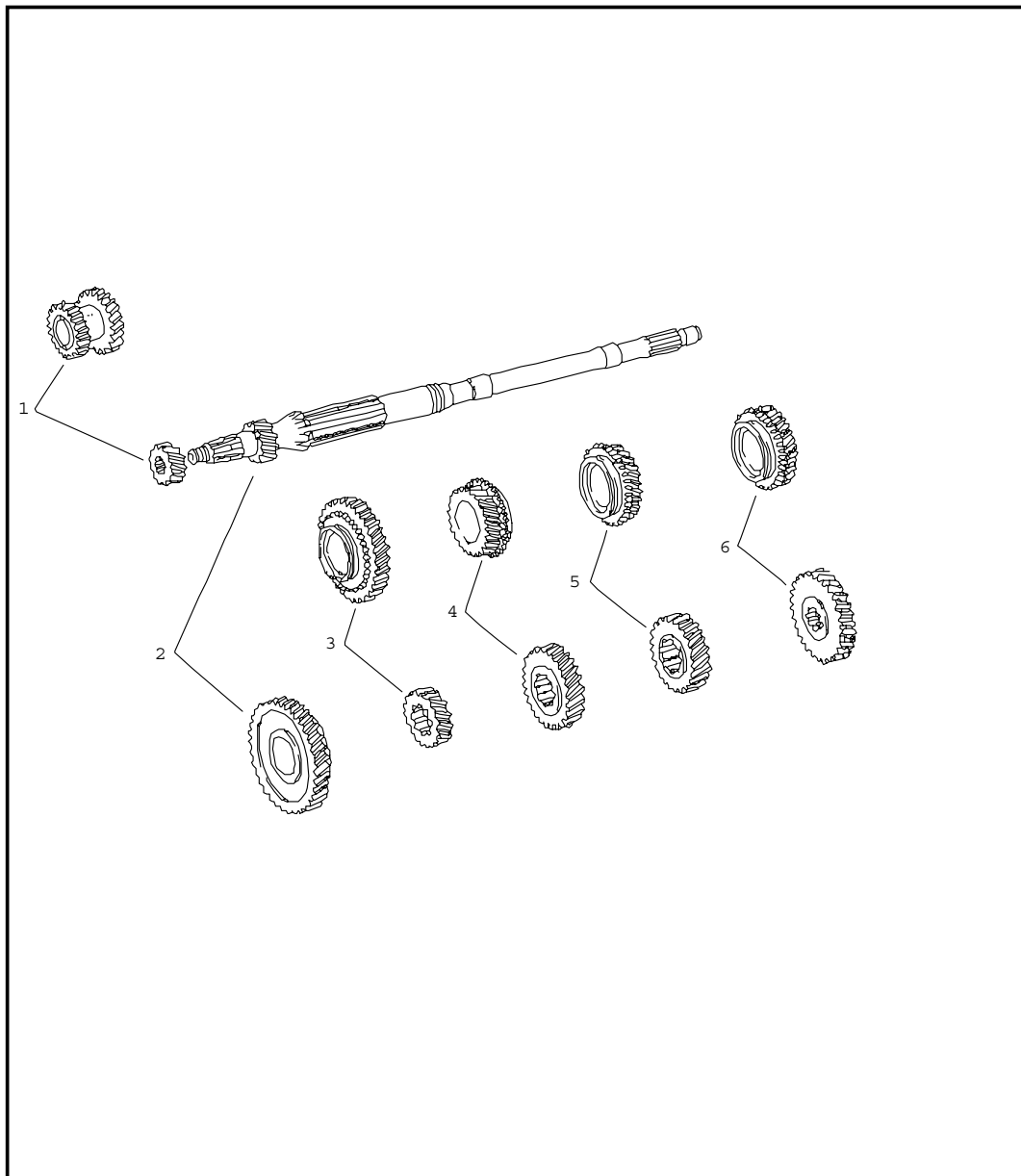


Pos	Part Number	Name	Remarks	Qty	Model
		gears and shafts 5-speed transmission	-71		
		gear sets see group 3/03/00			
1	* ---	drive shaft		1	
2	* ---	fixed gear wheel 3rd speed		1	
3	901 302 294 01	thrust washer		2	
4	E 901 302 261 01	bush for needle-roller bearing 2. - 5th speed		4	
5	999 201 104 00	needle cage 1. - 5th speed		5	
6	* ---	loose gear wheel 4th speed		1	
7	911 302 315 00	stone 2. - 5th speed		4	
8	911 302 316 00	brake band 1. - 5th speed		9	
9	911 302 317 01	stop 1. - 5th speed		5	
10	911 302 301 06	synchroniser ring 1. - 5th speed		5	
11	911 302 311 01	circlip 1. - 5th speed		5	
12	901 302 402 02	guide sleeve 2. - 5th speed		2	
13	911 302 411 10	shift sleeve 2. - 5th speed		2	
14	* ---	loose gear wheel 5th speed		1	

Model	Year	MG	SG	Illustration	Restrictions	Update	13:13	05.04.2005	PORSCHE	PET	PORSCHE
911	73	3	03	303-05		187					

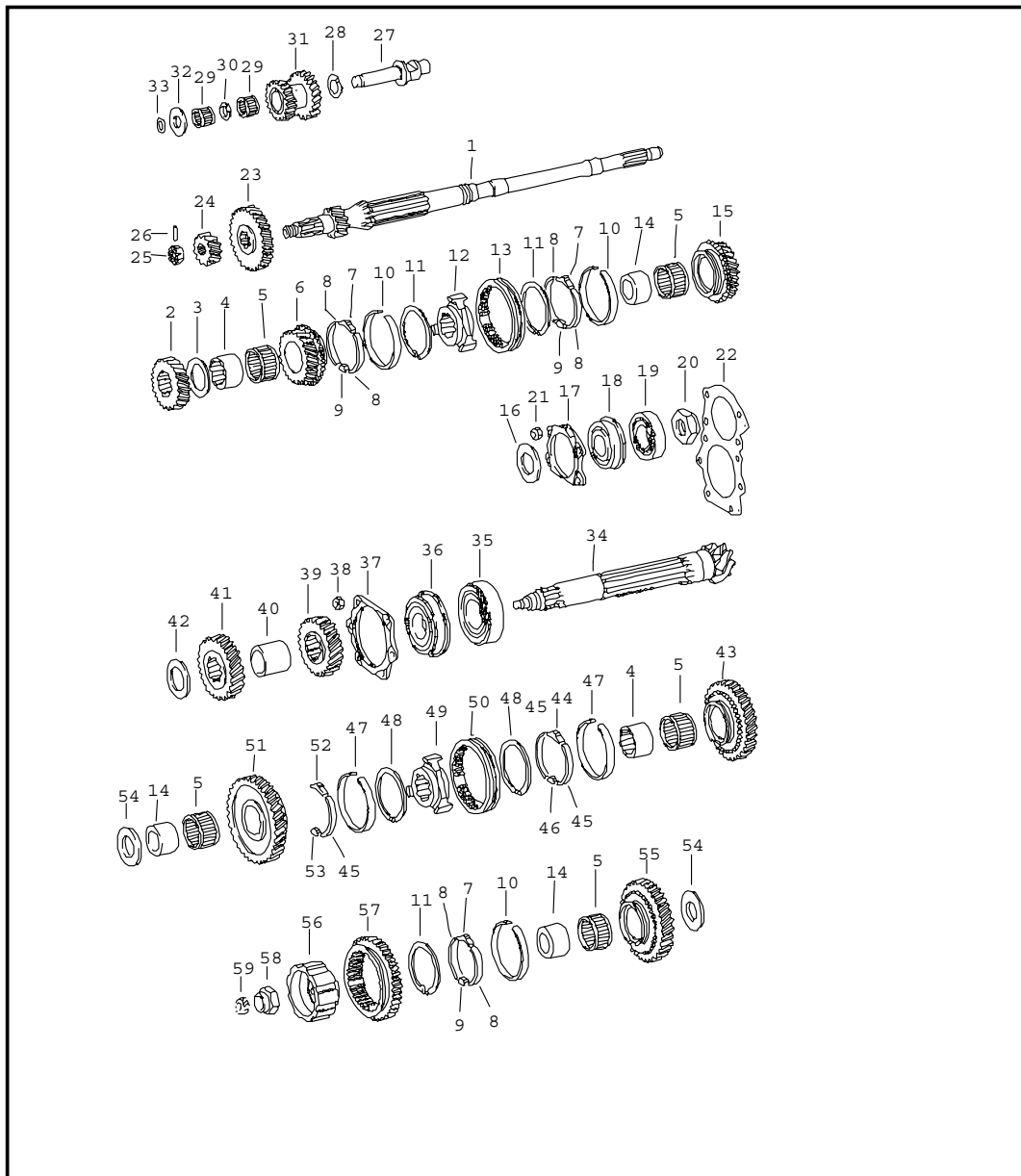
Pos	Part Number	Name	Remarks	Qty	Model	Pos	Part Number	Name	Remarks	Qty	Model
15	901 302 268 01	spacer		1		35	* --- --- --- --	loose gear wheel 2nd gear		1	
16	999 110 008 00	cylindrical-roller bearing		1		36	E 901 302 269 01	thrust washer		1	
17	E 999 038 001 00	tab washer		1		37	901 302 291 01	thrust washer		1	
18	999 183 001 00	hexagon nut		1		38	* --- --- --- --	loose gear wheel 1st gear		1	
19	* --- --- --- --	fixed gear wheel 1st gear		1		39	901 302 262 01	bush for needle-roller bearing 1st gear		1	
20	E 999 031 066 00	washer 14,3 X 21,5 X 3		1		40	E 901 302 318 02	stone 1st gear		1	
21	999 079 011 02	castle nut M 14 X 1,5		1		41	901 302 401 02	guide sleeve 1st gear		1	
22	900 309 004 00	roll pin 3 X 18		1		42	E 911 302 226 00	shifting gear for 1st gear and reverse gear		1	
23	* --- --- --- --	reverse idler gear		1		43	901 302 271 01	elastic bolt		1	
24	999 201 012 00	needle cage INA K 20/17		2		44	901 318 331 01	shaft 7/31		1	
25	901 302 263 01	sleeve for reverse idler gear		1		(44)	E 901 318 331 11	shaft 6/29	-70	1	
26	999 202 001 00	axial needle bearing cage		1		45	E 900 197 002 00	tensioning sleeve 4 X 28		1	
27	999 110 007 00	cylindrical-roller bearing		1							
28	900 111 002 00	snap ring SP 72		1							
29	901 302 297 01	adjusting shim 0,25 MM		X							
(29)	901 302 297 11	adjusting shim 0,30 MM		X							
(29)	901 302 297 21	adjusting shim 0,40 MM		X							
30	901 302 298 01	spacer		1							
31	* --- --- --- --	fixed gear wheel 5th speed		1							
32	901 302 265 01	spacer sleeve		1							
33	* --- --- --- --	fixed gear wheel 4th speed		1							
34	* --- --- --- --	loose gear wheel 3rd speed		1							

Model	Year	MG	SG	Illustration	Restrictions	Update	13:13	05.04.2005	PORSCHE	PET	PORSCHE
911	73	3	03	303-10		187					



Pos	Part Number	Name	Remarks	Qty	Model
		gear sets 5-speed transmission	72-		
		gear sets 915.300/02			
1	915 302 912 04	gear wheel pair for reverse gear reverse gear wheel NR. 1 reverse idler gear		1	
2	915 302 901 04	gear set 1st gear Z = 11:35 drive shaft loose gear wheel		1	
3	915 302 902 39	gear wheel pair 2nd gear Z = 18:33 loose gear wheel fixed gear wheel		1	
4	923 302 903 23	gear wheel pair 3rd speed Z = 23:29 fixed gear wheel loose gear wheel		1	
5	915 302 904 74	gear wheel pair 4th speed Z = 26:25 loose gear wheel fixed gear wheel		1	911 T-E/E/S 911 T-V
(5)	915 302 904 40	gear wheel pair 4th speed Z = 27:25 loose gear wheel fixed gear wheel		1	CARRERA 2.7 911 T-K
6	923 302 905 48	gear wheel pair 5th speed Z = 29:22 loose gear wheel fixed gear wheel		1	911 T-E/E/S 911 T-V
(6)	915 302 905 50	gear wheel pair 5th speed Z = 29:21 loose gear wheel fixed gear wheel		1	CARRERA 2.7 911 T-K
		- - - E N D - - -			

Model	Year	MG	SG	Illustration	Restrictions	Update	13:14	05.04.2005	PORSCHE	PET	PORSCHE
911	73	3	03	303-15		187					

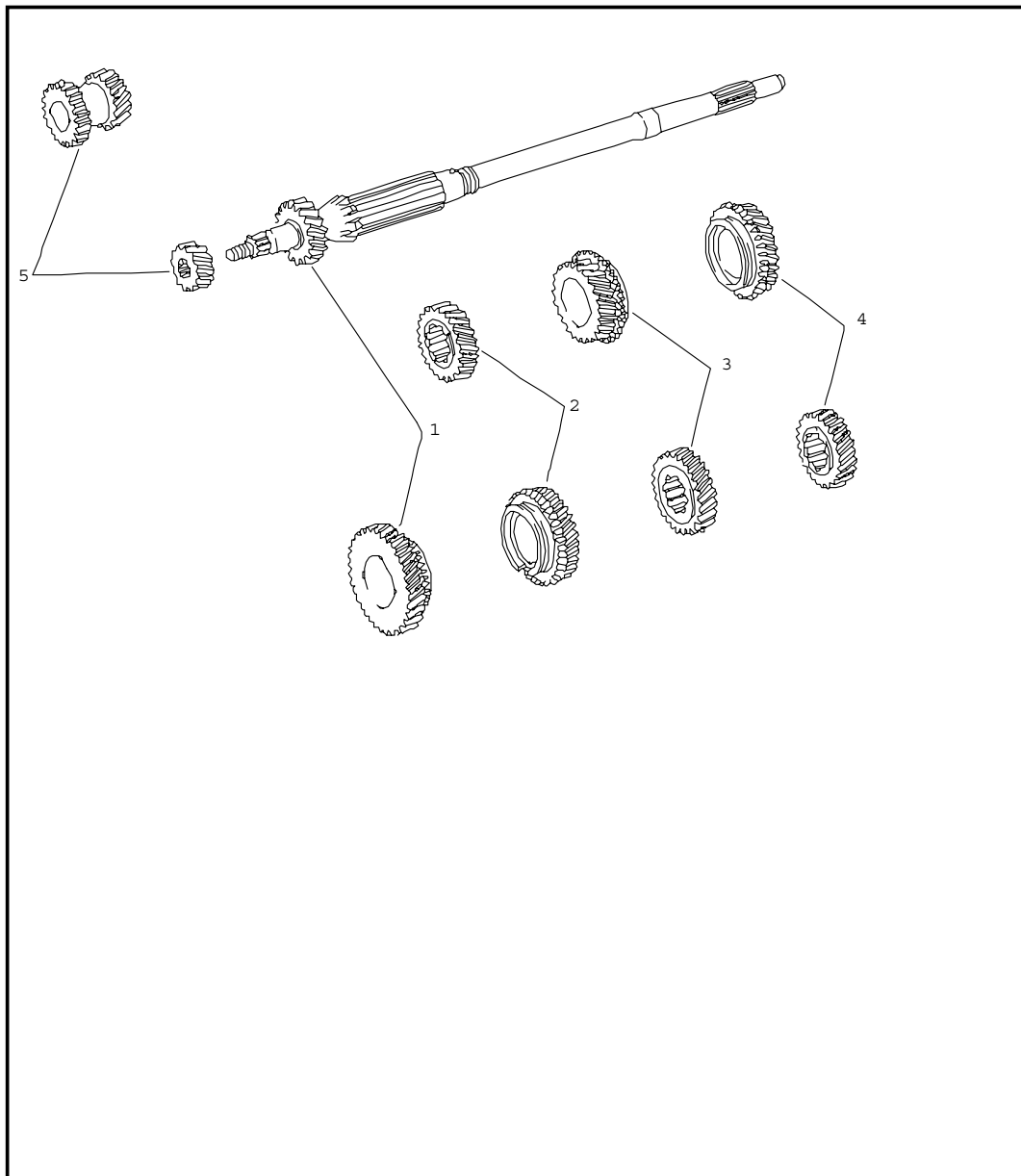


Pos	Part Number	Name	Remarks	Qty	Model
		gears and shafts 5-speed transmission	72-		
		gear sets see group 3/03/10			
1	* --- --- ---	drive shaft		1	
2	* --- --- ---	fixed gear wheel 2nd gear		1	
3	915 302 292 00	thrust washer		1	
4	E 915 302 262 00	bush		2	
5	999 201 470 00	needle cage		5	
6	* --- --- ---	loose gear wheel 3rd speed		1	
7	911 302 315 00	stone 3. - 5th speed		3	
8	911 302 316 00	brake band 3. - 5th speed		6	
9	911 302 317 01	stop 3. - 5th speed		3	
10	911 302 301 06	synchroniser ring 3. - 5th speed		3	
11	911 302 311 01	circlip		3	
12	901 302 402 02	guide sleeve		1	
13	911 302 411 10	shift sleeve		1	
14	915 302 261 00	bush		3	
15	* --- --- ---	loose gear wheel 4th speed		1	
16	915 302 294 01	thrust washer		1	
17	915 302 121 03	tensioning plate		1	
18	999 052 030 00	four-point bearing		1	
19	999 110 032 00	cylindrical-roller bearing		1	
20	999 034 033 00	hexagon nut		1	

Model	Year	MG	SG	Illustration	Restrictions	Update	13:14	05.04.2005	PORSCHE	PET	PORSCHE
911	73	3	03	303-15		187					

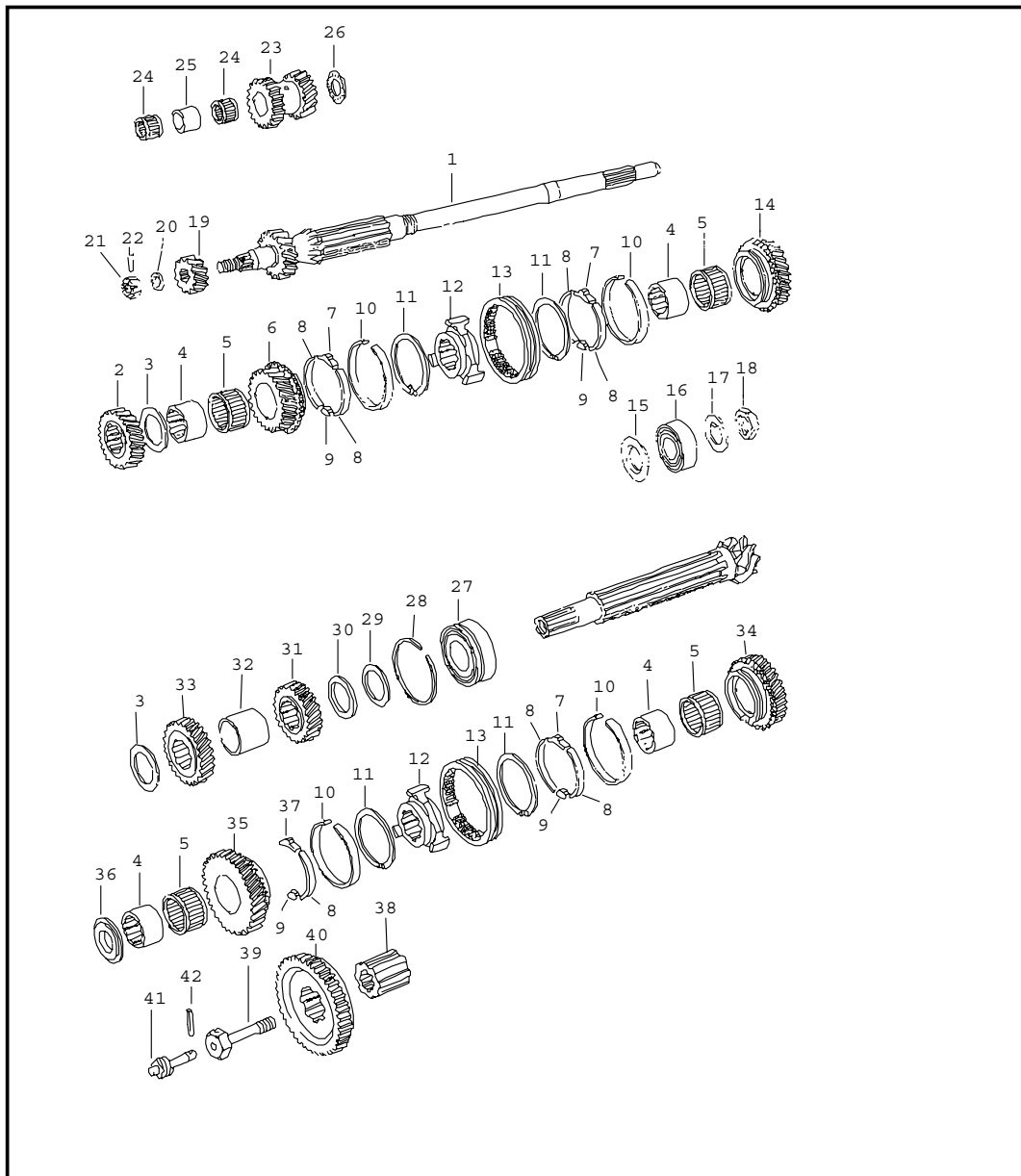
Pos	Part Number	Name	Remarks	Qty	Model	Pos	Part Number	Name	Remarks	Qty	Model
21	502 08 310	nut M 8		4		39	* --- --- --- --	fixed gear wheel 4th speed		1	
-	900 142 002 01	lock ring 8		4		40	915 302 265 01	spacer sleeve		1	
22	915 302 268 03	adjusting shim 0,10 MM		X		41	* --- --- --- --	fixed gear wheel 3rd speed		1	
(22)	915 302 268 04	adjusting shim 0,15 MM		X		42	915 302 293 00	thrust washer		1	
(22)	915 302 268 05	adjusting shim 0,20 MM		X		43	* --- --- --- --	loose gear wheel 2nd gear		1	
23	* --- --- --- --	fixed gear wheel 5th speed		1		44	915 302 315 01	stone 2nd gear		1	
24	* --- --- --- --	reverse gear NR. 1		1		45	915 302 316 01	brake band		3	
25	900 079 009 00	castle nut M 18 X 1,5		1		46	915 302 321 00	stop		1	
26	900 309 005 00	spiral clamping pin 4 X 26		1		47	915 302 301 04	synchroniser ring		2	
27	915 302 228 03	bolt for reverse idler gear		1		48	915 302 311 01	circlip		2	
28	999 202 001 00	axial needle bearing cage		1		49	915 302 401 00	guide sleeve		1	
29	999 201 135 00	needle cage		2		50	915 302 411 00	shift sleeve		1	
30	915 302 231 00	intermediate ring		1		51	* --- --- --- --	loose gear wheel 1st gear		1	
31	* --- --- --- --	reverse idler gear		1		52	E 915 302 318 00	stone 1st gear		1	
32	915 302 229 01	thrust washer		1		53	915 302 321 00	stop		1	
33	999 701 169 40	o-ring		1		54	915 302 291 00	thrust washer		2	
34	--- --- --- --	drive shaft see group 5/01/00		1		55	* --- --- --- --	loose gear wheel 5th speed		1	
35	999 110 146 00	cylindrical-roller bearing		1		56	915 302 405 01	guide sleeve		1	
36	999 052 043 00	four-point bearing		1		57	915 302 227 09	shifting gear		1	
37	915 302 123 03	tensioning plate		1		58	915 302 282 00	collar nut		1	
38	502 08 310	nut M 8		6		59	915 318 331 00	wheel 1 for speedometer		1	
-	900 142 002 01	lock ring 8		6				- - - E N D - - -			

Model	Year	MG	SG	Illustration	Restrictions	Update	13:14	05.04.2005	PORSCHE	PET	PORSCHE
911	73	3	03	303-20		187					



Pos	Part Number	Name	Remarks	Qty	Model
		gear sets 4-speed transmission	-71		
		gear sets 901/06 + 300/12	/LL M		911 E/S
		911.300/00 standard	M		911 E 911 T
1	911 302 905 00	drive shaft and gear wheel II 1st gear Z = 11:34 (A) drive shaft loose gear wheel		1	
2	905 302 907 00	gear wheel pair 2nd gear Z = 19:31 (HB) fixed gear wheel loose gear wheel		1	
3	904 302 929 10	gear wheel pair 3rd speed Z = 25:26 (S) fixed gear wheel loose gear wheel		1	
4	901 302 918 10	gear wheel pair 4th speed Z = 29:23 (Z) fixed gear wheel loose gear wheel	-70	1	
(4)	911 302 906 00	gear wheel pair 4th speed Z = 29:22 (ZA) fixed gear wheel loose gear wheel	71	1	
5	E 902 302 902 00	gear wheel I and reverse idler gear fixed gear wheel reverse idler gear		1	
		- - - E N D - - -			

Model	Year	MG	SG	Illustration	Restrictions	Update	13:14	05.04.2005	PORSCHE	PET	PORSCHE
911	73	3	03	303-25		187					

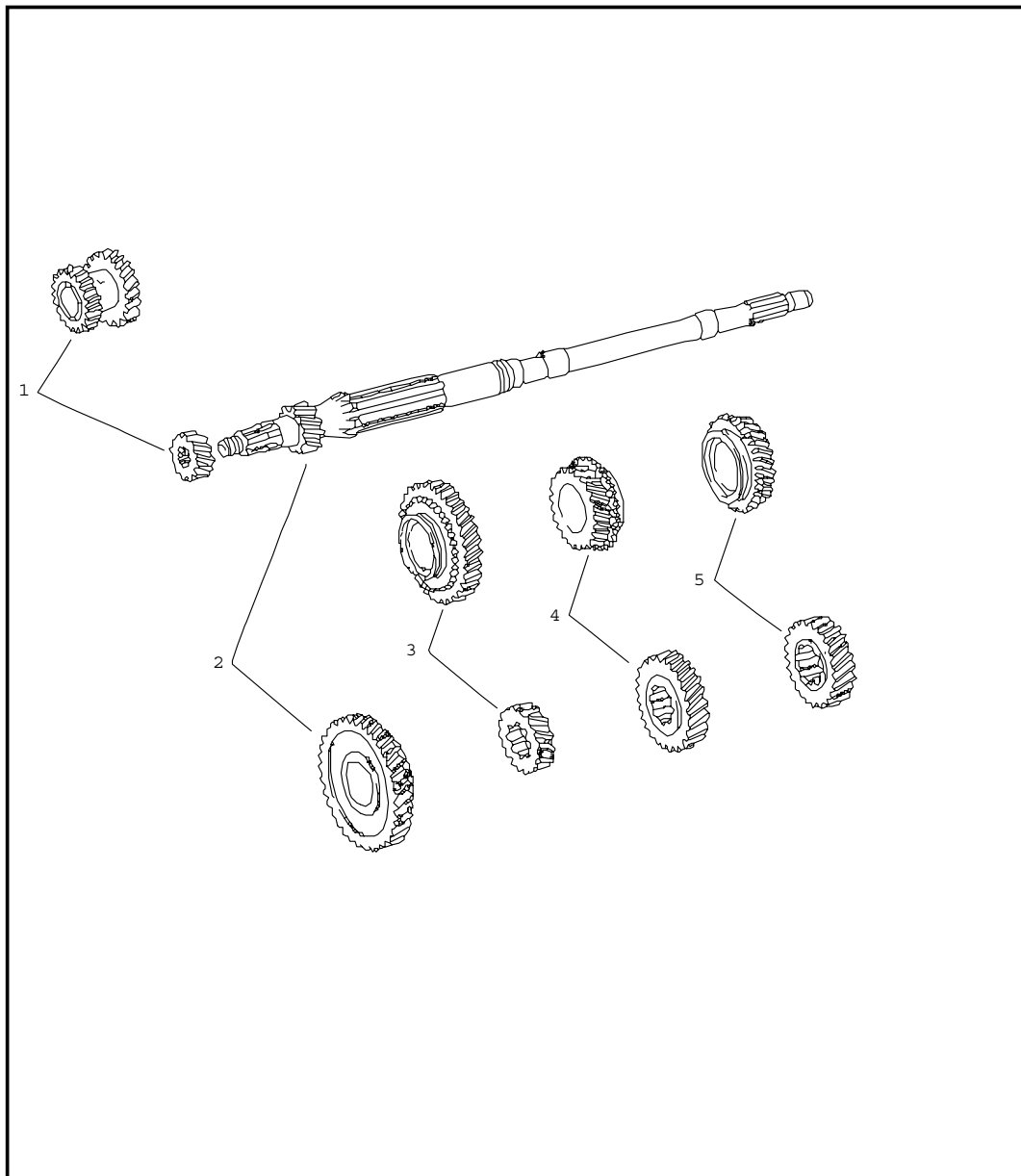


Pos	Part Number	Name	Remarks	Qty	Model
		gears and shafts 4-speed transmission	-70 -71		911 E/S 911 T
		gear sets see group 3/03/20			
1	* --- --- --- ---	drive shaft		1	
2	* --- --- --- ---	fixed gear wheel 2nd gear		1	
3	901 302 294 01	thrust washer		2	
4	E 901 302 261 01	bush for needle-roller bearing 1. - 4th speed		4	
5	999 201 104 00	needle cage 1. - 4th speed		4	
6	* --- --- --- ---	loose gear wheel 3rd speed		1	
7	911 302 315 00	stone 2. - 4th speed		3	
8	911 302 316 00	brake band 1. - 4th speed		7	
9	911 302 317 01	stop 1. - 4th speed		4	
10	911 302 301 06	synchroniser ring 1. - 4th speed		4	
11	911 302 311 01	circlip 1. - 4th speed		4	
12	901 302 402 02	guide sleeve 1. - 4th speed		2	
13	911 302 411 10	shift sleeve 1. - 4th speed		2	
14	* --- --- --- ---	loose gear wheel 4th speed		1	

Model	Year	MG	SG	Illustration	Restrictions	Update	13:14	05.04.2005	PORSCHE	PET	PORSCHE
911	73	3	03	303-25		187					

Pos	Part Number	Name	Remarks	Qty	Model	Pos	Part Number	Name	Remarks	Qty	Model
15	901 302 268 01	spacer		1		35	* --- --- --- --	loose gear wheel 1st gear		1	
16	999 110 008 00	cylindrical-roller bearing		1		36	E 901 302 269 01	thrust washer		1	
17	E 999 038 001 00	tab washer		1		37	E 901 302 318 02	stone 1st gear		1	
18	999 183 001 00	hexagon nut		1		38	E 902 302 257 00	sleeve		1	
19	* --- --- --- --	fixed gear wheel 1st gear		1		39	901 302 271 01	elastic bolt		1	
20	E 999 031 066 00	washer 14,3 X 21,5 X 3		1		40	E 902 302 224 00	sliding gear for reverse gear		1	
21	999 079 011 02	castle nut M 14 X 1,5		1		41	901 318 331 01	shaft 7/31	-71	1	
22	900 309 004 00	roll pin 3 X 18		1		(41)	E 901 318 331 11	shaft 6/29	-70	1	
23	* --- --- --- --	reverse idler gear		1		42	E 900 197 002 00	tensioning sleeve 4 X 28		1	
24	999 201 012 00	needle cage INA K20/17		2				- - - E N D - - -			
25	901 302 263 01	sleeve for reverse idler gear		1							
26	999 202 001 00	axial needle bearing cage		1							
27	999 110 007 00	cylindrical-roller bearing		1							
28	900 111 002 00	snap ring SP 72		1							
29	901 302 297 01	adjusting shim 0,25 MM		X							
(29)	901 302 297 11	adjusting shim 0,30 MM		X							
(29)	901 302 297 21	adjusting shim 0,40 MM		X							
30	901 302 298 01	spacer		1							
31	* --- --- --- --	fixed gear wheel 4th speed		1							
32	901 302 265 01	spacer sleeve		1							
33	* --- --- --- --	fixed gear wheel 3rd speed		1							
34	* --- --- --- --	loose gear wheel 2nd gear		1							

Model	Year	MG	SG	Illustration	Restrictions	Update	13:14	05.04.2005	PORSCHE	PET	PORSCHE
911	73	3	03	303-30		187					

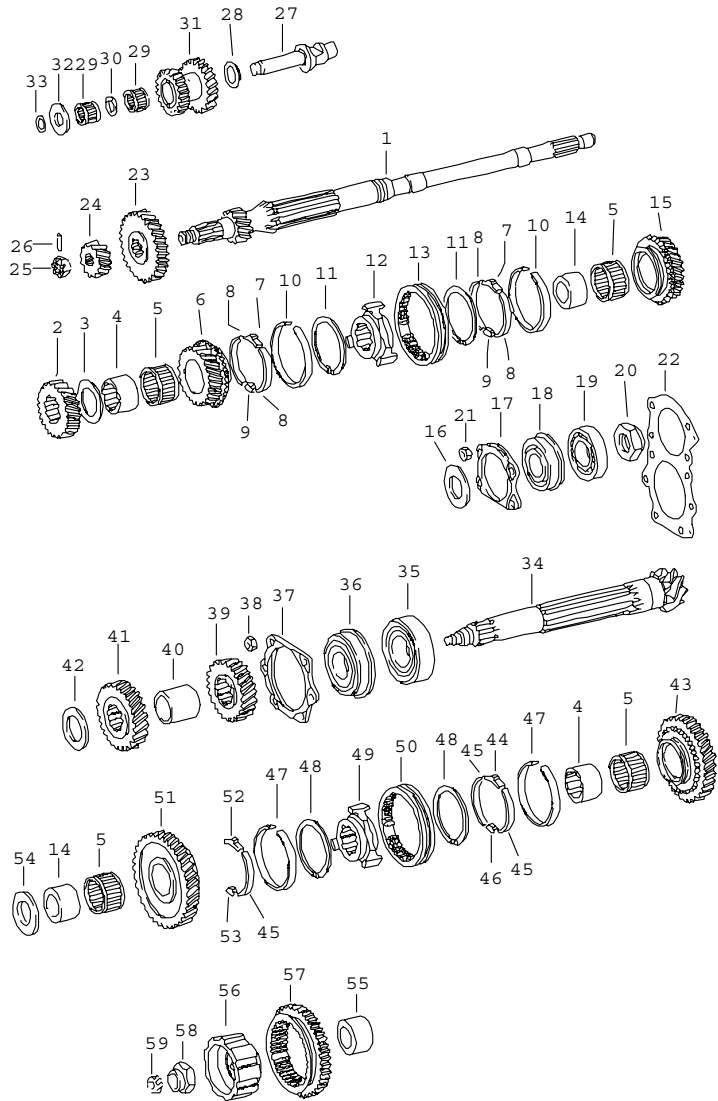


Pos	Part Number	Name	Remarks	Qty	Model
		gear sets 4-speed transmission	72-		
		gear sets 915.300/12			911 T-E/E/S 911 T-V 911 T-K
1	915 302 912 04	gear wheel pair for reverse gear reverse gear wheel NR. 1 reverse idler gear		1	
2	915 302 901 04	gear set 1st gear Z = 11:35 drive shaft loose gear wheel		1	
3	915 302 902 24	gear wheel pair 2nd gear Z = 18:32 loose gear wheel fixed gear wheel		1	
4	923 302 904 18	gear wheel pair 3rd speed Z = 24:27 fixed gear wheel loose gear wheel		1	
5	915 302 904 60	gear set 4th speed Z = 28:23 loose gear wheel fixed gear wheel		1	
		gear sets 915.300/18			CARRERA 2.7
1	915 302 912 04	gear wheel pair for reverse gear reverse gear wheel NR. 1 reverse idler gear		1 1	
2	915 302 901 04	gear wheel pair 1st gear Z = 11:35 drive shaft loose gear wheel		1	

Model	Year	MG	SG	Illustration	Restrictions	Update	13:14	05.04.2005	PORSCHE	PET	PORSCHE
911	73	3	03	303-30		187					

Pos	Part Number	Name	Remarks	Qty	Model	Pos	Part Number	Name	Remarks	Qty	Model
3	923 302 902 33	gear wheel pair 2nd gear Z = 20:32 loose gear wheel fixed gear wheel		1							
4	915 302 904 20	gear wheel pair 3rd speed Z = 25:26 fixed gear wheel loose gear wheel		1							
5	915 302 904 50	gear wheel pair 4th speed Z = 29:22 loose gear wheel fixed gear wheel		1							
		- - - E N D - - -									

Model	Year	MG	SG	Illustration	Restrictions	Update	13:15	05.04.2005	PORSCHE	PET	PORSCHE
911	73	3	03	303-35		187					

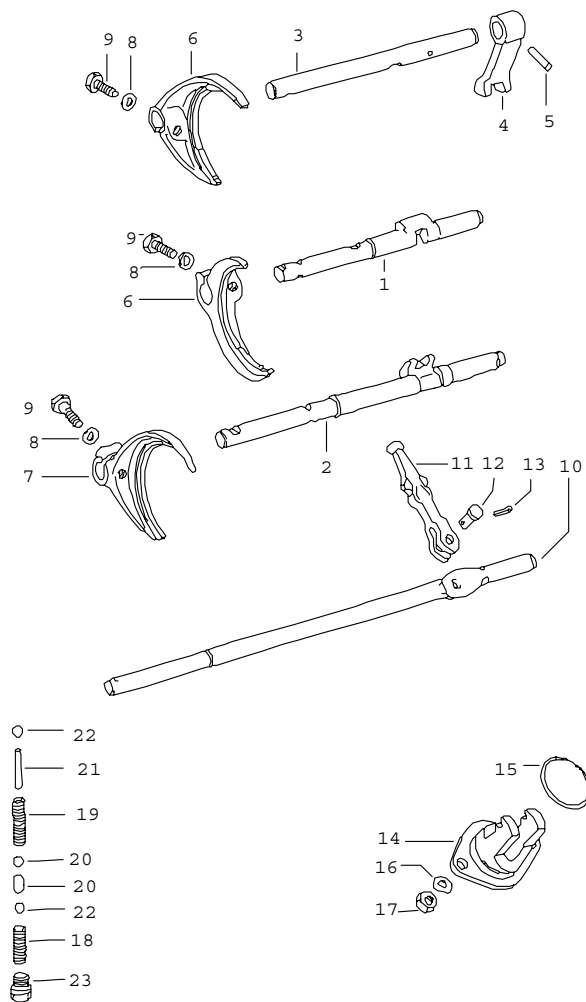


Pos	Part Number	Name	Remarks	Qty	Model
		gears and shafts 4-speed transmission	72-		
		gear sets see group 3/03/30			
1	* --- --- ---	drive shaft		1	
2	* --- --- ---	fixed gear wheel 2nd gear		1	
3	915 302 292 00	thrust washer		1	
4	E 915 302 262 00	bush		2	
5	999 201 470 00	needle cage		4	
6	* --- --- ---	loose gear wheel 3rd speed		1	
7	911 302 315 00	stone 3. - 4th speed		2	
8	911 302 316 00	brake band 3. - 4th speed		4	
9	911 302 317 01	stop 3. - 4th speed		2	
10	911 302 301 06	synchroniser ring 3. - 4th speed		2	
11	911 302 311 01	circlip		2	
12	901 302 402 02	guide sleeve		1	
13	911 302 411 10	shift sleeve		1	
14	915 302 261 00	bush		2	
15	* --- --- ---	loose gear wheel 4th speed		1	
16	915 302 294 01	thrust washer		1	
17	915 302 121 03	tensioning plate		1	
18	999 052 030 00	four-point bearing		1	
19	999 110 032 00	cylindrical-roller bearing		1	
20	999 034 033 00	hexagon nut		1	

Model	Year	MG	SG	Illustration	Restrictions	Update	13:15	05.04.2005	PORSCHE	PET	PORSCHE
911	73	3	03	303-35		187					

Pos	Part Number	Name	Remarks	Qty	Model	Pos	Part Number	Name	Remarks	Qty	Model
21	502 08 310	nut M 8		4		39	* --- --- --- --	fixed gear wheel 4th speed		1	
-	900 142 002 01	lock ring 8		4		40	915 302 265 01	spacer sleeve		1	
22	915 302 268 03	adjusting shim 0,10 MM		X		41	* --- --- --- --	fixed gear wheel 3rd speed		1	
(22)	915 302 268 04	adjusting shim 0,15 MM		X		42	915 302 293 00	thrust washer		1	
(22)	915 302 268 05	adjusting shim 0,20 MM		X		43	* --- --- --- --	loose gear wheel 2nd gear		1	
23	E 915 302 277 00	spacer sleeve		1		44	915 302 315 01	stone 2nd gear		1	
24	* --- --- --- --	reverse gear NR. 1		1		45	915 302 316 01	brake band		3	
25	900 079 009 00	castle nut M 18 X 1,5		1		46	915 302 321 00	stop		1	
26	900 309 005 00	spiral clamping pin 4 X 26		1		47	915 302 301 04	synchroniser ring		2	
27	915 302 228 03	bolt for reverse idler gear		1		48	915 302 311 01	circlip		2	
28	999 202 001 00	axial needle bearing cage		1		49	915 302 401 00	guide sleeve		1	
29	999 201 135 00	needle cage		2		50	915 302 411 00	shift sleeve		1	
30	915 302 231 00	intermediate ring		1		51	* --- --- --- --	loose gear wheel 1st gear		1	
31	* --- --- --- --	reverse idler gear		1		52	E 915 302 318 00	stone 1st gear		1	
32	915 302 229 01	thrust washer		1		53	915 302 321 00	stop		1	
33	999 701 169 40	o-ring		1		54	915 302 291 00	thrust washer		1	
34	--- --- --- --	drive shaft see group 5/01/00		1		55	915 302 278 01	spacer sleeve		1	
35	999 110 146 00	cylindrical-roller bearing		1		56	915 302 405 01	guide sleeve		1	
36	999 052 043 00	four-point bearing		1		57	915 302 227 09	shifting gear		1	
37	915 302 123 03	tensioning plate		1		58	915 302 282 00	collar nut		1	
38	502 08 310	nut M 8		6		59	915 318 331 00	wheel 1 for speedometer		1	
-	900 142 002 01	lock ring 8		6				- - - E N D - - -			

Model	Year	MG	SG	Illustration	Restrictions	Update	13:15	05.04.2005	PORSCHE	PET	PORSCHE
911	73	3	04	304-00		187					

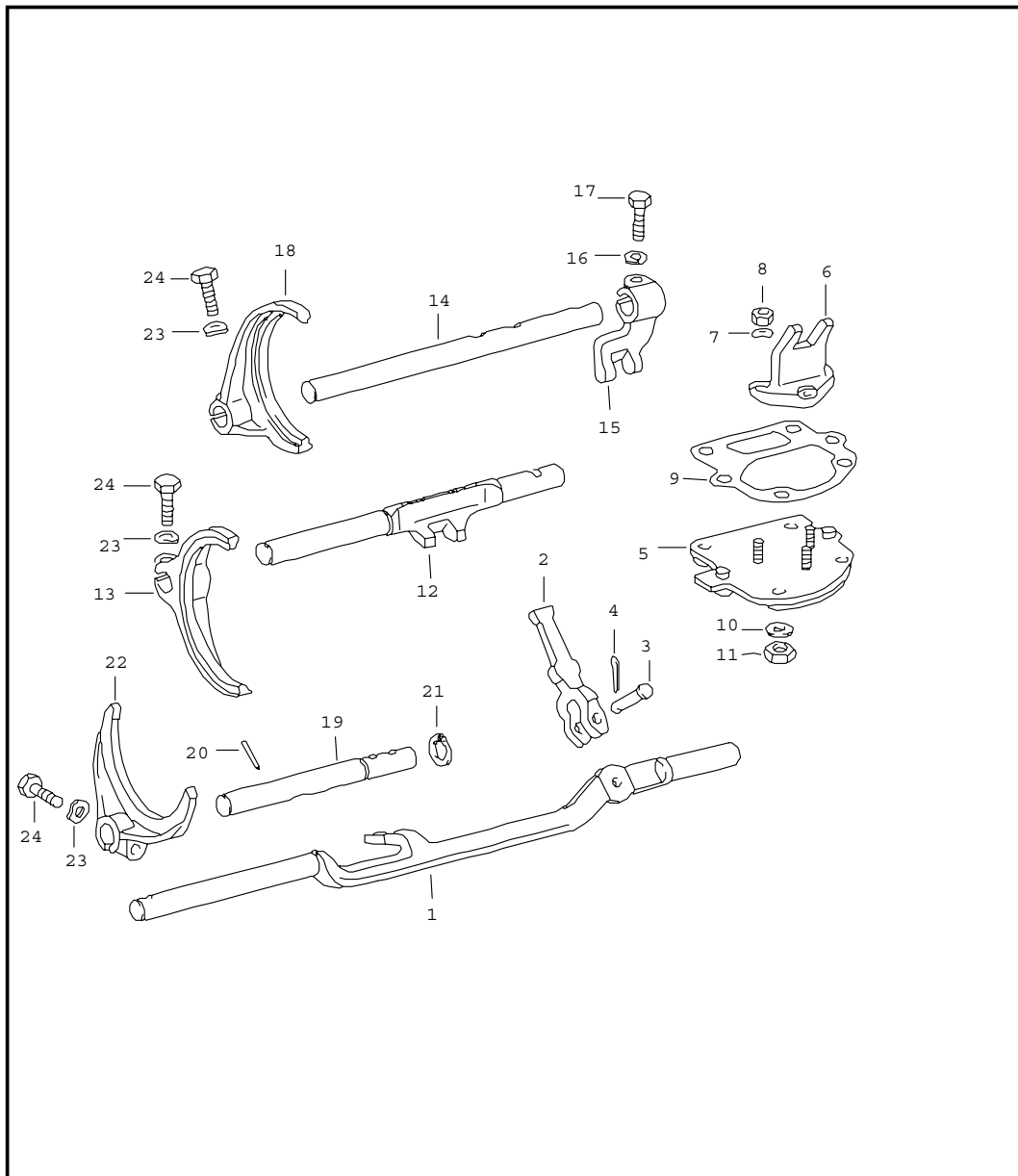


Pos	Part Number	Name	Remarks	Qty	Model
		shift rods forks	-71		
		4-speed and 5-speed transmission			
1	901 303 101 01	gear shift rod 2. - 3rd speed		1	
2	901 303 141 02	gear shift rod 1st gear and reverse gear		1	
3	901 303 103 01	gear shift rod 4. - 5th speed		1	
4	901 303 161 01	contact		1	
5	900 309 003 00	roll pin 5 X 24		1	
6	901 303 111 01	shift fork 2. - 5th speed		2	
7	901 303 151 01	shift fork 1st gear and reverse gear		1	
8	N 012 241 1	spring washer B 8		3	
9	900 075 083 02	hexagon-head bolt M 8 X 25		3	
10	E 901 303 132 11	gear shift rod		1	
11	901 303 133 01	shift lever		1	
12	E 901 303 171 01	bolt		1	
13	N 012 512 1	cotter pin 2 X 12		1	
14	911 303 129 00	fork		1	
15	999 701 359 40	o-ring		1	
(15)	901 303 191 01	gasket for fork old version		1	

Model	Year	MG	SG	Illustration	Restrictions	Update	13:15	05.04.2005	PORSCHE	PET	PORSCHE
911	73	3	04	304-00		187					

Pos	Part Number	Name	Remarks	Qty	Model	Pos	Part Number	Name	Remarks	Qty	Model
16	900 027 015 02	lock ring B 8		2							
17	900 076 025 02	hexagon nut M 8		2							
18	901 303 231 01	spring reversing gear lock		1							
19	901 303 232 01	spring for gear lock detent 2. - 5th speed		1							
20	901 303 211 01	detent for gear lock detent		1							
21	901 303 271 01	pin for gear lock detent		1							
22	N 025 667 2	ball 9 MM		3							
23	999 065 001 02	screw plug chilled casting G 509 0001 >> 509 0462 G 519 0001 >> 519 1141 G 519 5001 >> 519 5209 G 709 0001 >> 709 0223 G 719 0001 >> 719 2526 G 739 0001 >> 739 0002 G 739 1001 >> 739 1001 G 739 2001 >> 739 2007 G 739 3001 >> 739 3003 G 739 4001 >> 739 4004	-70	1	902/04 902/05 902/06 901/06 901/07 901/75 901/76 901/77 901/78 901/79						
(23)	999 065 004 02	screw plug die casting G 509 1001 >> 509 9999 G 539 0101 >> 539 9999 G 519 1501 >> 519 4999 G 709 1001 >> 709 9999 G 719 3001 >> 719 9999 G 739 0101 >> 739 0999 G 739 1101 >> 739 1999 G 739 2101 >> 739 2999 G 739 3101 >> 739 3999 G 739 4101 >> 739 4999	-71	1	902.300/14 902.300/60 902.300/16 901.300/12 901.300/13 901.300/80 901.300/81 901.300/82 901.300/83 901.300/84						
		- - - E N D - - -									

Model	Year	MG	SG	Illustration	Restrictions	Update	13:15	05.04.2005	PORSCHE	PET	PORSCHE
911	73	3	04	304-05		187					

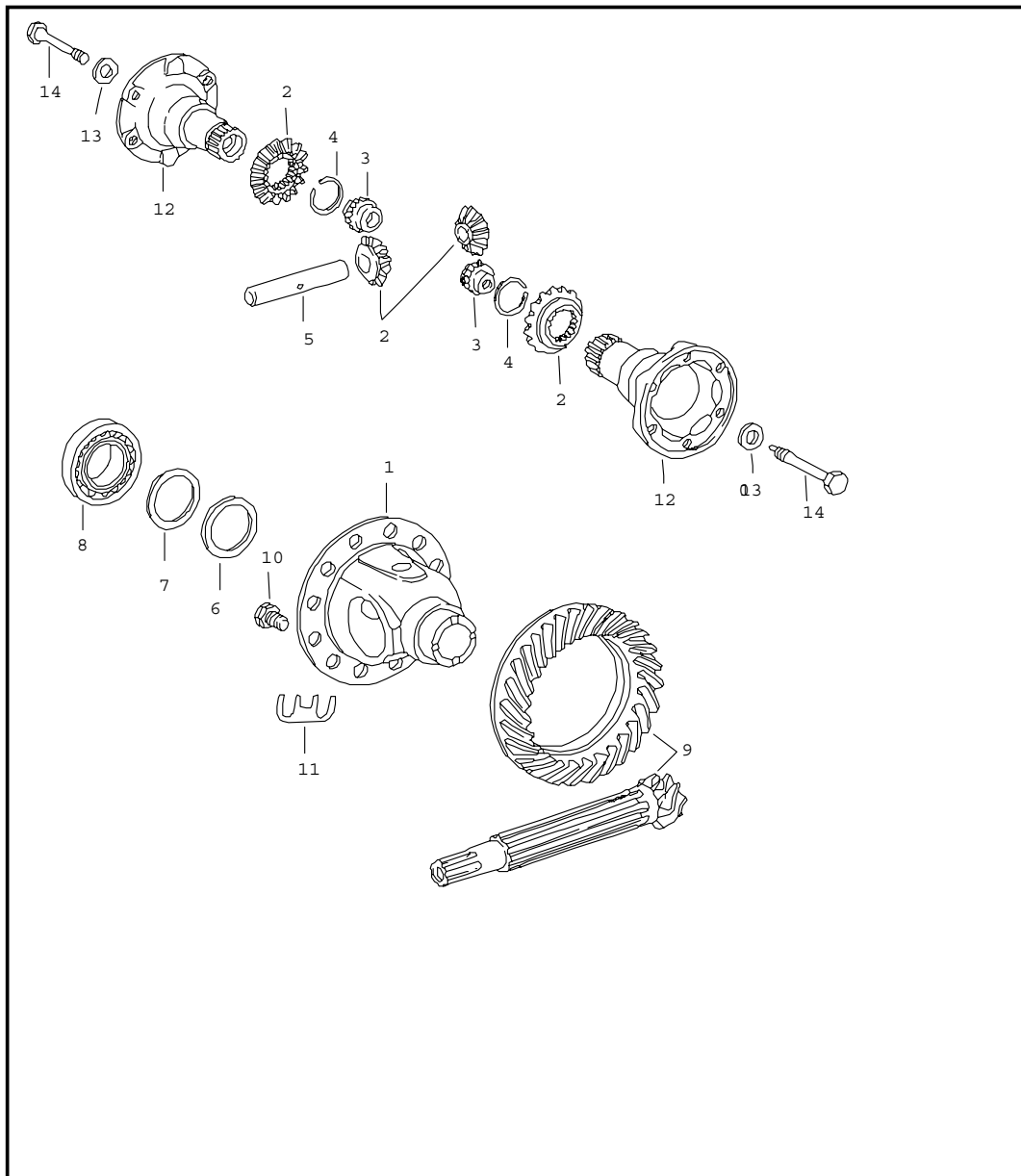


Pos	Part Number	Name	Remarks	Qty	Model
		shift rods forks	72-		
		4-speed and 5-speed transmission			
1	915 303 132 00	gear shift rod		1	
2	915 303 133 00	shift lever		1	
3	E 901 303 171 01	bolt		1	
4	N 012 512 1	cotter pin 2 X 12		1	
5	915 303 023 02	cover		1	
6	915 303 129 09	fork		1	
7	900 027 014 01	lock ring B 6		3	
8	900 076 010 02	hexagon nut M 6		3	
9	915 303 225 00	gasket		1	
10	900 031 001 02	washer 8,4		4	
11	E 999 090 101 02	mid-grip nut		4	
12	915 303 101 00	gear shift rod 1.- 2nd gear		1	
13	915 303 111 00	shift fork 1.- 2nd gear		1	
14	915 303 103 50	gear shift rod 3.- 4th speed		1	
15	E 915 303 115 09	fork		1	
16	900 027 015 02	lock ring B 8		1	
17	900 075 136 02	hexagon-head bolt M 8 X 28		1	
18	E 915 303 112 00	shift fork 3.- 4th speed		1	

Model	Year	MG	SG	Illustration	Restrictions	Update	13:15	05.04.2005	PORSCHE	PET	PORSCHE
911	73	3	04	304-05		187					

Pos	Part Number	Name	Remarks	Qty	Model	Pos	Part Number	Name	Remarks	Qty	Model
19	915 303 105 09	gear shift rod reverse gear - 5th speed		1							
20	900 309 005 00	spiral clamping pin 4 X 26		1							
21	N 012 415 1	circlip 15 X 1 only for 4-speed transmission gear lock detent		1							
22	E 915 303 113 01	shift fork reverse gear - 5th speed		1							
23	N 012 241 1	spring washer B 8 X 15		3							
24	900 075 136 02	hexagon-head bolt M 8 X 28		3							
		- - - E N D - - -									

Model	Year	MG	SG	Illustration	Restrictions	Update	13:16	05.04.2005	PORSCHE	PET	PORSCHE
911	73	3	05	305-00		187					



Pos	Part Number	Name	Remarks	Qty	Model
		differential with chilled casting or die casting housing without armature	70		
1	901 332 211 01	transmission case chilled casting		1	
(1)	905 332 212 00	transmission case		1	911 T/E:SPM
2	901 332 902 00	differential pinions set		1	
3	901 332 206 13	threaded piece		2	
4	999 152 014 00	snap ring		2	
6	901 332 265 01	spacer ring 2,5 MM		2	
(6)	901 332 265 02	spacer ring 2,6 MM		2	
(6)	901 332 265 03	spacer ring 2,7 MM		2	
(6)	901 332 265 04	spacer ring 2,8 MM		2	
(6)	901 332 265 05	spacer ring 2,9 MM		2	
(6) E	901 332 265 06	spacer ring 3,0 MM		2	
(6) E	901 332 265 07	spacer ring 3,1 MM		2	
(6)	901 332 265 08	spacer ring 3,2 MM		2	
(6) E	901 332 265 09	spacer ring 3,3 MM		2	
(6)	901 332 265 10	spacer ring 3,4 MM		2	
(6) E	901 332 265 11	spacer ring 3,5 MM		2	
(6) E	901 332 265 12	spacer ring 3,6 MM		2	

Model	Year	MG	SG	Illustration	Restrictions	Update	13:16	05.04.2005	PORSCHE	PET	PORSCHE
911	73	3	05	305-00		187					

Pos	Part Number	Name	Remarks	Qty	Model	Pos	Part Number	Name	Remarks	Qty	Model
(6)	E 901 332 265 13	spacer ring 3,7 MM		2		8	E 999 059 008 00	ball bearing for chilled casting		2	
		spacer ring for die casting housing				(8)	999 059 027 00	ball bearing for die casting		2	
(6)	915 332 265 00	adjusting ring 2,4 MM		2		9	901 302 901 02	ring gear and pinion shaft 7:31		1	
(6)	915 332 265 01	adjusting ring 2,5 MM		2		(9)	905 302 901 01	ring gear and pinion shaft 7:27		1	911 T/E:SPM
(6)	915 332 265 02	adjusting ring 2,6 MM		2		10	901 332 276 00	hexagon-head bolt		12	
(6)	915 332 265 03	adjusting ring 2,7 MM		2		(10)	901 332 276 11	hexagon-head bolt only for limited-slip differential		12	
(6)	915 332 265 04	adjusting ring 2,8 MM		2		11	901 332 285 01	tab washer		6	
(6)	915 332 265 05	adjusting ring 2,9 MM		2		(11)	E 905 332 285 00	tab washer		6	911 T/E:SPM
(6)	915 332 265 06	adjusting ring 3,0 MM		2		12	901 332 209 15	joint flange - LOEBRO - for chilled casting		2	
(6)	915 332 265 07	adjusting ring 3,1 MM		2		(12)	901 332 209 21	joint flange - LOEBRO - for die casting		2	
(6)	915 332 265 08	adjusting ring 3,2 MM		2		13	901 332 261 11	washer		2	
(6)	915 332 265 09	adjusting ring 3,3 MM		2		14	901 332 275 11	elastic bolt		2	
(6)	915 332 265 10	adjusting ring 3,4 MM		2				- - - E N D - - -			
(6)	915 332 265 11	adjusting ring 3,5 MM		2							
(6)	915 332 265 12	adjusting ring 3,6 MM		2							
(6)	915 332 265 13	adjusting ring 3,7 MM		2							
7	E 901 332 263 01	washer for chilled casting		2							
(7)	915 332 263 00	adjusting ring for die casting		2							