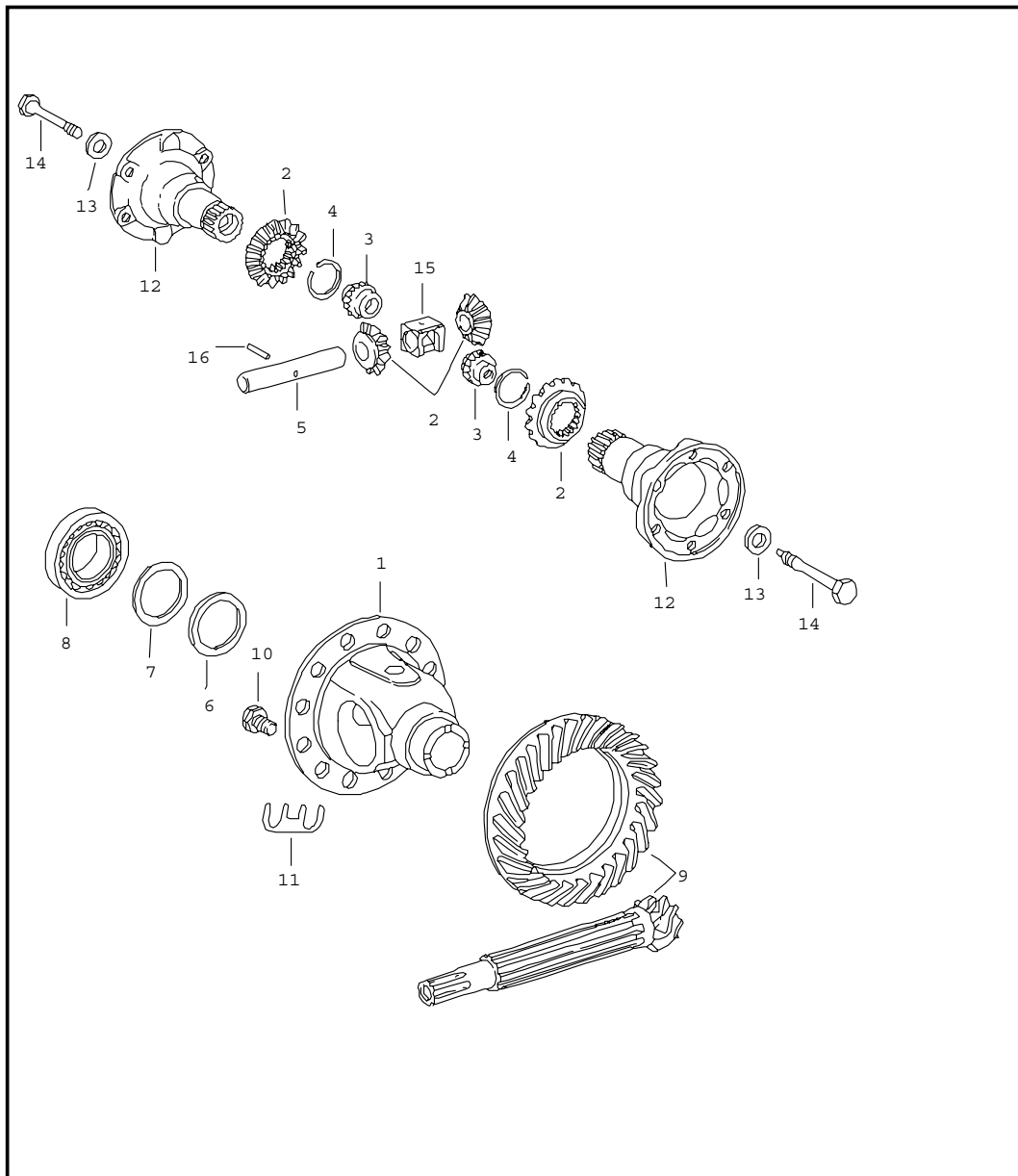


Model	Year	MG	SG	Illustration	Restrictions	Update	13:16	05.04.2005	PORSCHE	PET	PORSCHE
911	73	3	05	305-05		187					

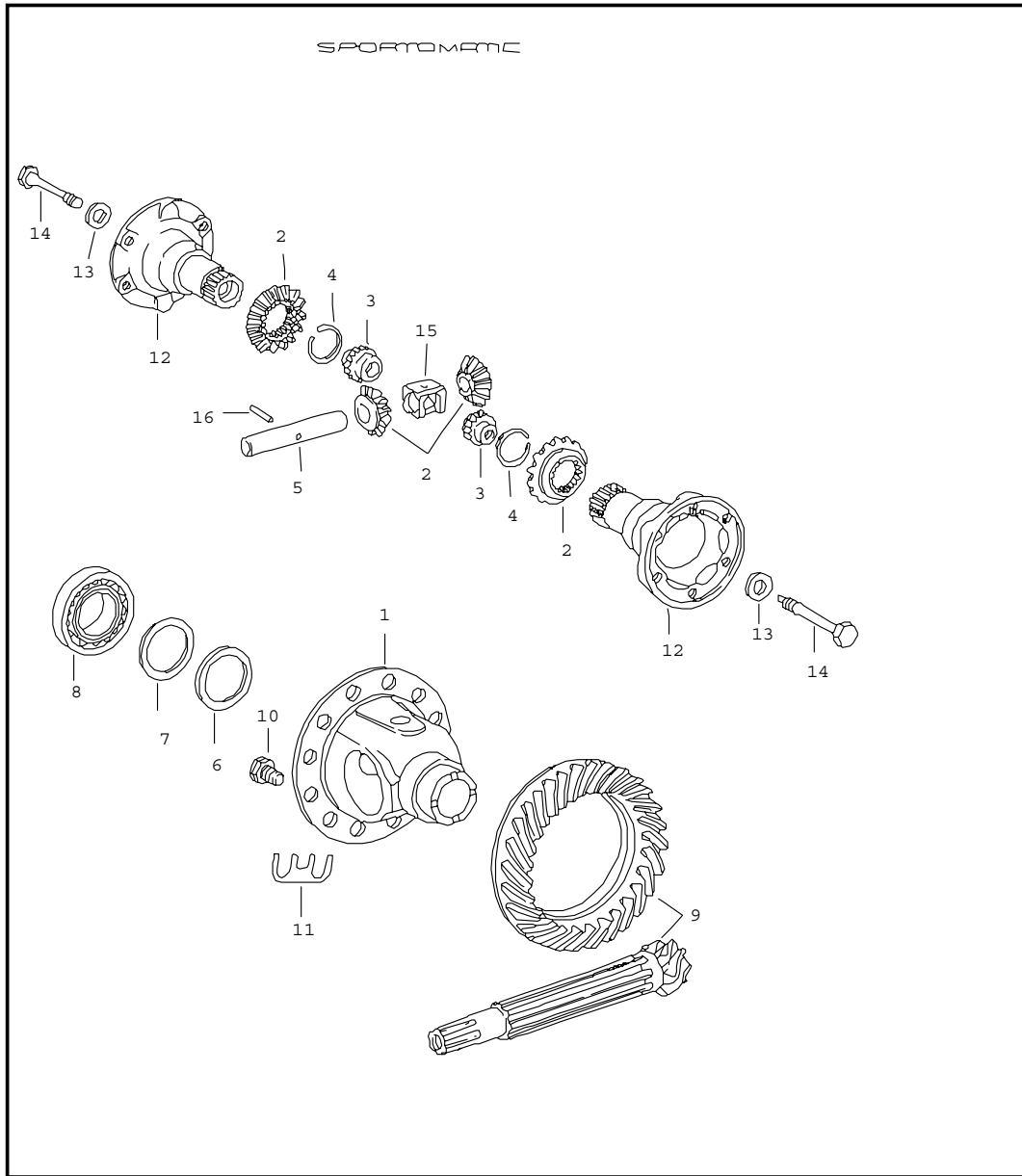


Pos	Part Number	Name	Remarks	Qty	Model
		differential for manual transmission TYP 915 and sportomatic TYP 925 with armature			
1	E 911 332 212 00	transmission case		1	
2	911 332 902 00	differential pinions set	70-71	1	
2	E 911 332 212 00	differential pinions set	72-	1	
3	911 332 206 01	threaded piece		2	
4	999 152 014 00	snap ring		2	
5	911 332 207 00	differential bolt		1	
6	915 332 265 00	adjusting ring 2,4 MM		2	
(6)	915 332 265 01	adjusting ring 2,5 MM		2	
(6)	915 332 265 02	adjusting ring 2,6 MM		2	
(6)	915 332 265 03	adjusting ring 2,7 MM		2	
(6)	915 332 265 04	adjusting ring 2,8 MM		2	
(6)	915 332 265 05	adjusting ring 2,9 MM		2	
(6)	915 332 265 06	adjusting ring 3,0 MM		2	
(6)	915 332 265 07	adjusting ring 3,1 MM		2	
(6)	915 332 265 08	adjusting ring 3,2 MM		2	
(6)	915 332 265 09	adjusting ring 3,3 MM		2	
(6)	915 332 265 10	adjusting ring 3,4 MM		2	

Model	Year	MG	SG	Illustration	Restrictions	Update	13:16	05.04.2005	PORSCHE	PET	PORSCHE
911	73	3	05	305-05		187					

Pos	Part Number	Name	Remarks	Qty	Model	Pos	Part Number	Name	Remarks	Qty	Model
(6)	915 332 265 11	adjusting ring 3,5 MM		2							
(6)	915 332 265 12	adjusting ring 3,6 MM		2							
(6)	915 332 265 13	adjusting ring 3,7 MM		2							
7	915 332 263 00	adjusting ring		2							
8	999 059 027 00	ball bearing		2							
9	901 302 901 02	ring gear and pinion shaft 7:31	-71	1							
(9)	915 302 911 16	ring gear and pinion shaft 7:31	72-	1							
(9)	905 302 901 01	ring gear and pinion shaft 7:27	-71	1	SPM						
(9)	925 302 911 00	ring gear and pinion shaft 7:27	72-	1	SPM						
10	901 332 276 00	hexagon-head bolt		12							
(10)	901 332 276 11	hexagon-head bolt only for limited-slip differential	-71	12							
(10)	928 332 276 03	hexagon-head bolt only for limited-slip differential	72-	12							
11	901 332 285 01	tab washer		6							
12	911 332 209 00	joint flange	-71	2							
(12) E	915 332 209 01	joint flange	72-	2							
(12)	925 332 209 04	joint flange		2	SPM						
13	901 332 261 11	washer		2							
14	901 332 275 12	elastic bolt		2							
15	911 332 208 00	armature		2							
16	900 308 005 00	roll pin 6 X 28		2							
		- - - E N D - - -									

Model	Year	MG	SG	Illustration	Restrictions	Update	13:16	05.04.2005	PORSCHE	PET	PORSCHE
911	73	3	05	305-10		187					

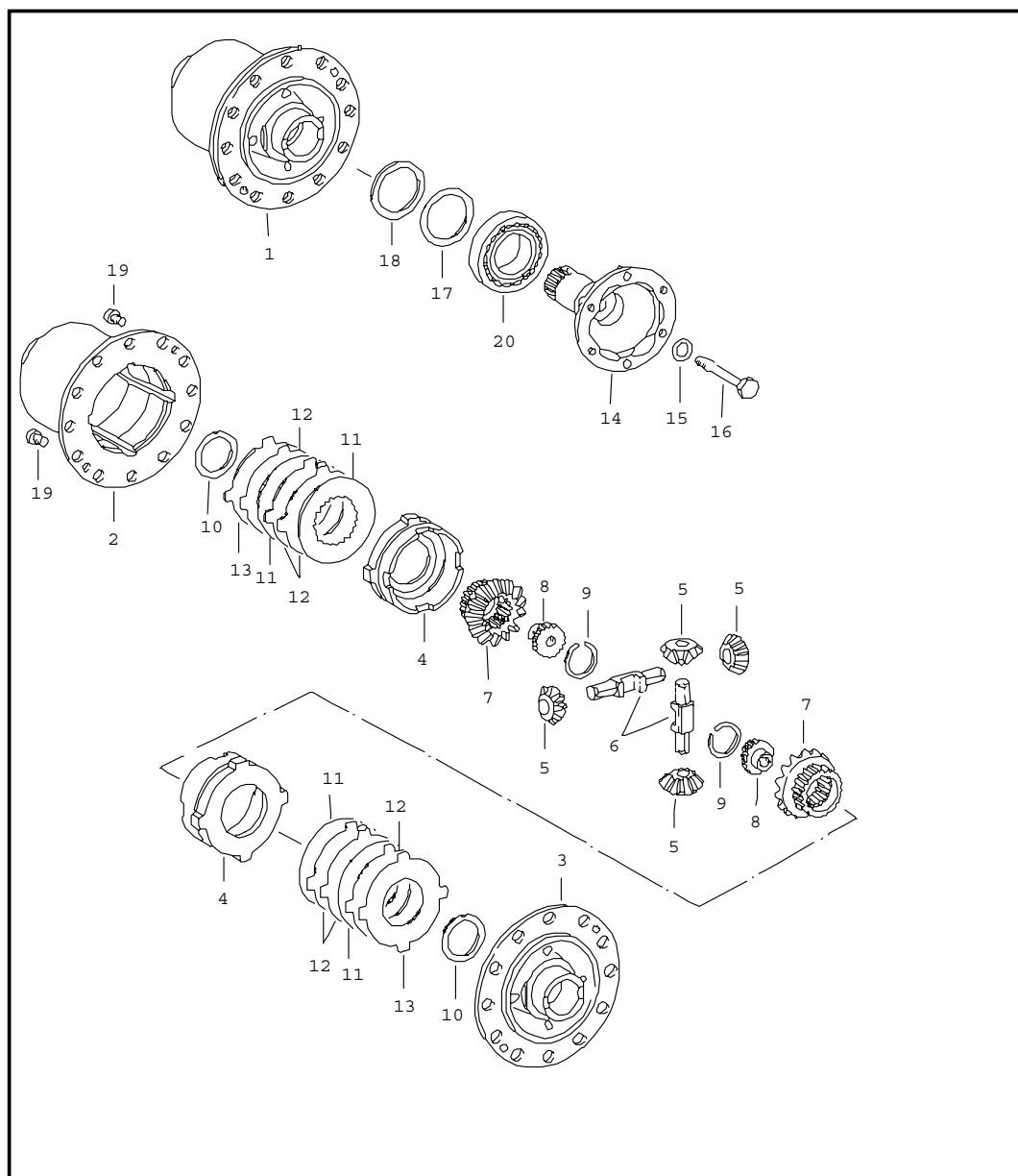


Pos	Part Number	Name	Remarks	Qty	Model
		differential for sportomatic TYP 905			SPM
1	905 332 212 00	transmission case		1	
2	901 332 902 00	differential pinions set		1	
3	901 332 206 13	threaded piece		2	
4	999 152 014 00	snap ring		2	
5	901 332 207 04	differential bolt		1	
6	901 332 265 01	spacer ring 2,5 MM		2	
(6)	901 332 265 02	spacer ring 2,6 MM		2	
(6)	901 332 265 03	spacer ring 2,7 MM		2	
(6)	901 332 265 04	spacer ring 2,8 MM		2	
(6)	901 332 265 05	spacer ring 2,9 MM		2	
(6) E	901 332 265 06	spacer ring 3,0 MM		2	
(6) E	901 332 265 07	spacer ring 3,1 MM		2	
(6)	901 332 265 08	spacer ring 3,2 MM		2	
(6) E	901 332 265 09	spacer ring 3,3 MM		2	
(6)	901 332 265 10	spacer ring 3,4 MM		2	
(6) E	901 332 265 11	spacer ring 3,5 MM		2	
(6) E	901 332 265 12	spacer ring 3,6 MM		2	
(6) E	901 332 265 13	spacer ring 3,7 MM		2	
7	E 901 332 263 01	washer		2	
8	E 999 059 008 00	ball bearing		2	

Model	Year	MG	SG	Illustration	Restrictions	Update	13:16	05.04.2005	PORSCHE	PET	PORSCHE
911	73	3	05	305-10		187					

Pos	Part Number	Name	Remarks	Qty	Model	Pos	Part Number	Name	Remarks	Qty	Model
9	905 302 901 01	ring gear and pinion shaft 7:27		1							
10	901 332 276 00	hexagon-head bolt		12							
11	E 905 332 285 00	tab washer		6							
12	901 332 209 15	joint flange		2							
13	901 332 261 11	washer		2							
14	901 332 275 12	elastic bolt		2							
15	911 332 208 00	armature		2							
16	900 308 005 00	roll pin 6 X 28		2							
		- - - E N D - - -									

Model	Year	MG	SG	Illustration	Restrictions	Update	13:16	05.04.2005	PORSCHE	PET	PORSCHE
911	73	3	05	305-15		187					

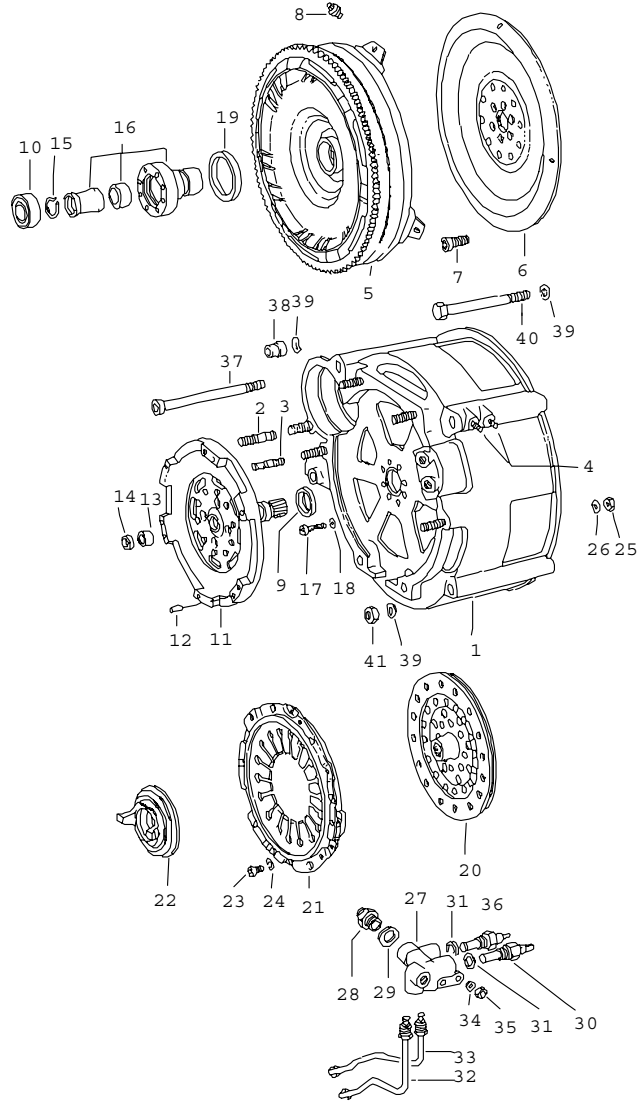


Pos	Part Number	Name	Remarks	Qty	Model
		limited-slip differential			
1	901 332 053 13	limited-slip differential		1	
2	E 901 332 055 13	housing		1	
3	901 332 506 11	housing cover		1	
4	901 332 511 11	thrust ring		2	
5	915 332 531 02	bevel pinion		4	
6	915 332 541 02	differential shaft		2	
7	E 901 332 535 11	shaft bevel gear		2	
8	901 332 206 12	threaded piece		2	
9	999 152 014 00	snap ring SW 32		2	
10	901 332 561 11	thrust washer		2	
11	901 332 551 21	inner disc 2,0 MM		4	
(11)	901 332 551 22	inner disc 1,9 MM		X	
(11)	901 332 551 23	inner disc 2,1 MM		X	
12	901 332 552 11	disc with external splines		6	
13	928 332 555 00	cup spring		2	
14	901 332 209 21	joint flange	-70	2	
(14)	E 915 332 209 21	joint flange	71-	2	
15	901 332 261 11	washer		2	
16	901 332 275 12	elastic bolt		2	
17	915 332 263 00	adjusting ring		2	
18	915 332 265 00	adjusting ring 2,4 MM		2	
(18)	915 332 265 01	adjusting ring 2,5 MM		X	
(18)	915 332 265 02	adjusting ring 2,6 MM		X	
(18)	915 332 265 03	adjusting ring 2,7 MM		X	

Model	Year	MG	SG	Illustration	Restrictions	Update	13:16	05.04.2005	PORSCHE	PET	PORSCHE
911	73	3	05	305-15		187					

Pos	Part Number	Name	Remarks	Qty	Model	Pos	Part Number	Name	Remarks	Qty	Model
(18)	915 332 265 04	adjusting ring 2,8 MM		X							
(18)	915 332 265 05	adjusting ring 2,9 MM		X							
(18)	915 332 265 06	adjusting ring 3,0 MM		X							
(18)	915 332 265 07	adjusting ring 3,1 MM		X							
(18)	915 332 265 08	adjusting ring 3,2 MM		X							
(18)	915 332 265 09	adjusting ring 3,3 MM		X							
(18)	915 332 265 10	adjusting ring 3,4 MM		X							
(18)	915 332 265 11	adjusting ring 3,5 MM		X							
(18)	915 332 265 12	adjusting ring 3,6 MM		X							
(18)	915 332 265 13	adjusting ring 3,7 MM		X							
19	900 119 002 00	pan-head screw M 6 X 10		2							
20	999 059 027 00	taper roller bearing		2							
		- - - E N D - - -									

Model	Year	MG	SG	Illustration	Restrictions	Update	13:17	05.04.2005	PORSCHE	PET	PORSCHE
911	73	3	06	306-00		187					

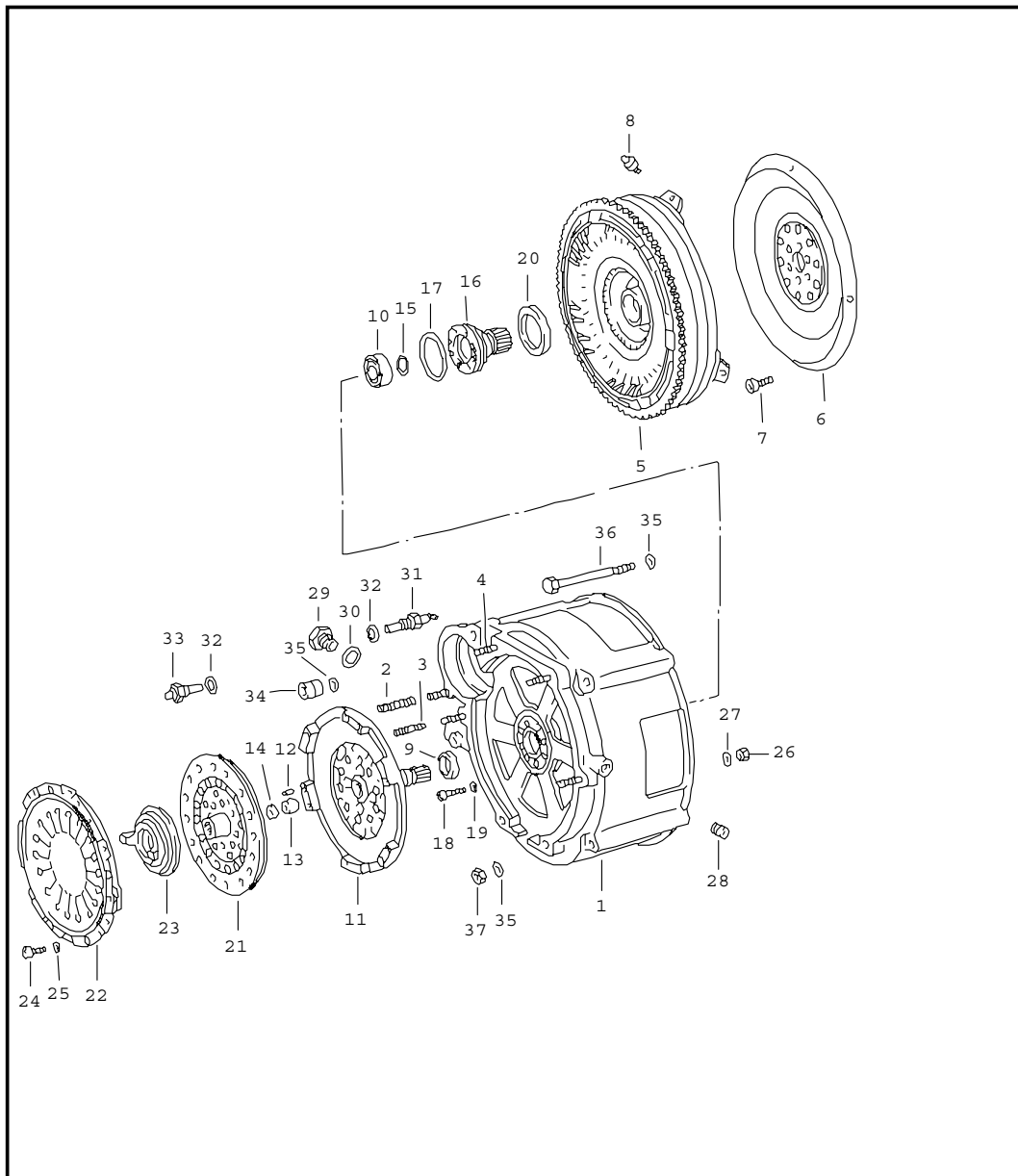


Pos	Part Number	Name	Remarks	Qty	Model
		converter and converter housing TYP 905/21 sportomatic	-71		911 T/E
		converter housing with stud	72-		911 T-V
1	905 301 007 01	converter housing with stud		1	
2	900 061 014 01	stud BM 10 X 22		1	
(3)	900 061 009 01	stud BM 8 X 28		1	
3	900 061 007 01	stud BM 8 X 22		3	
4	999 062 002 02	stud BM 6 X 15		2	
5	905 116 002 20	torque converter with starter ring		1	
		G 700 0001 >> 700 9999	-70		911.300/00
		G 710 0001 >> 710 9999			911.300/01
		G 770 0001 >> 770 3000			911.300/01
		G 730 9101 >> 730 9200			911.300/80
		G 730 9201 >> 730 9300			911.300/81
		G 730 9301 >> 730 9400			911.300/82
		G 730 9401 >> 730 9500			911.300/83
		G 730 9501 >> 730 9600			911.300/84
		G 720 0001 >> 720 9999			905.300/20
6	905 116 024 11	drive plate		1	
7	999 067 009 01	pan-head screw		6	
8	905 116 026 00	12 point socket		4	
9	PCG 113 071 50	radial shaft seal 25 X 35 X 6		1	
10	900 052 027 00	deep-groove ball bearing 6004		1	
11	905 116 027 10	turbine shaft		1	
12	999 012 018 00	straight pin		3	
13	999 201 021 00	needle sleeve HK 1210 INA		1	
14	PCG 201 301 00	shaft seal 12 X 18 X 3 INA		1	

Model	Year	MG	SG	Illustration	Restrictions	Update	13:17	05.04.2005	PORSCHE	PET	PORSCHE
911	73	3	06	306-00		187					

Pos	Part Number	Name	Remarks	Qty	Model	Pos	Part Number	Name	Remarks	Qty	Model
15	N 012 420 1	circlip 20 X 1,2		1		29	900 123 019 20	sealing ring A 16 X 22 CU		1	
16	905 116 020 01	free wheel lock bracket complete		1		30	905 613 102 04	temperature switch		1	
17	999 186 002 01	pan-head screw		8		31	900 123 007 30	sealing ring A 14 X 18 AL		2	
18	N 013 804 2	sealing ring A 6 X 10		8		32	905 301 013 10	pressure pipe complete		1	
19	999 113 189 40	radial sealing ring 45 X 60 X 7		1		33	E 905 301 014 10	return pipe complete	-71	1	
20	905 116 254 20	clutch plate G 700 0001 >> 700 9999 G 710 0001 >> 710 9999 G 770 0001 >> 770 3000 G 730 9101 >> 730 9200 G 730 9201 >> 730 9300 G 730 9301 >> 730 9400 G 730 9401 >> 730 9500 G 730 9501 >> 730 9600 G 720 0001 >> 720 9999	-70	1	911.300/00 911.300/01 911.300/01 911.300/80 911.300/81 911.300/82 911.300/83 911.300/84 905.300/20	(33)	E 905 301 014 11	return pipe complete	72-	1	
						34	900 028 008 01	spring washer B 6		2	
						35	900 076 010 02	hexagon nut M 6		2	
						36	901 641 632 00	remote temperature sensor		1	
21	E 905 116 255 10	pressure plate G 700 0001 >> 700 9999 G 710 0001 >> 710 9999 G 770 0001 >> 770 3000 G 730 9101 >> 730 9200 G 730 9201 >> 730 9300 G 730 9301 >> 730 9400 G 730 9401 >> 730 9500 G 730 9501 >> 730 9600 G 720 0001 >> 720 9999	-70	1	911.300/00 911.300/01 911.300/01 911.300/80 911.300/81 911.300/82 911.300/83 911.300/84 905.300/20	37	E 900 067 078 02	pan-head screw M 10 X 150	-71	1	
						38	E 901 104 382 01	cylinder head nut M 10 X 110	72-	1	
						39	N 012 242 3	spring washer B 10 X 18	-71 72-	4 5	
						40	E 900 155 018 02	hexagon-head bolt M 10 X 110	/L	1	
22	925 116 081 00	clutch release bearing		1		41	900 157 002 02	hexagon nut M 10		2	
23	E 999 067 010 01	pan-head screw		6		- - - E N D - - -					
24	N 012 026 3	lock ring 6		6							
25	N 011 010 6	hexagon nut M 10		2							
26	N 012 242 3	spring washer B 10 X 18		2							
27	905 301 125 11	switch housing		1							
28	E 900 129 009 02	double socket 8	-71	1							
(28)	E 905 301 014 11	union A 10	72-	1							

Model	Year	MG	SG	Illustration	Restrictions	Update	13:17	05.04.2005	PORSCHE	PET	PORSCHE
911	73	3	06	306-05		187					

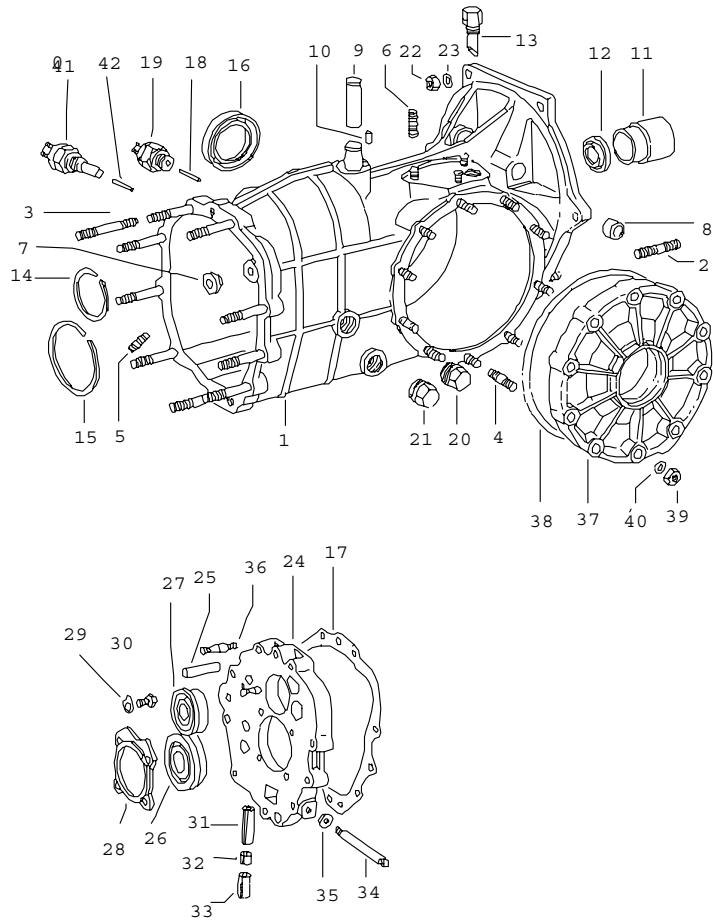


Pos	Part Number	Name	Remarks	Qty	Model
		converter and converter housing TYP 925 sportomatic	72-		911 T-E/E/S CARRERA 2.7
1	925 301 007 00	converter housing with stud		1	
2	E 900 061 014 02	stud BM 10 X 22		1	
3	999 062 008 02	stud BM 8 X 25		3	
4	999 062 009 02	stud BM 8 X 28		1	
5	905 116 002 20	converter with starter ring not for - CARRERA 2.7-		1	911 T-E/E
(5)	925 116 005 00	converter with starter ring not for - CARRERA 2.7-		1	911 S
6	905 116 024 11	drive plate not for - CARRERA 2.7-		1	
7	999 067 009 01	pan-head screw		6	
8	905 116 026 00	12 point socket not for - CARRERA 2,7 -		4	
9	999 113 205 40	shaft seal 26 X 37 X 7		1	
10	900 052 095 00	deep-groove ball bearing 6204		1	
11	925 116 027 00	turbine shaft		1	
12	999 012 018 00	straight pin		3	
13	999 201 021 00	needle sleeve HK 1210 INA		1	
14	PCG 201 301 00	shaft seal 12 X 18 X 3 INA		1	

Model	Year	MG	SG	Illustration	Restrictions	Update	13:17	05.04.2005	PORSCHE	PET	PORSCHE
911	73	3	06	306-05		187					

Pos	Part Number	Name	Remarks	Qty	Model	Pos	Part Number	Name	Remarks	Qty	Model
15	N 042 364 1	circlip 20 X 1,75		1		37	900 157 002 02	hexagon nut M 10		2	
16	925 116 020 01	free wheel lock bracket complete		1				- - - E N D - - -			
17	999 701 397 40	o-ring OR 72 - 2,5		1							
18	999 186 002 01	pan-head screw		8							
19	N 013 804 2	sealing ring A 6 X 10 CU		8							
20	999 113 189 40	shaft seal		1							
21	925 116 254 02	clutch plate		1							
22	925 116 255 05	clutch pressure plate		1							
23	925 116 081 00	clutch release bearing		1							
24	E 999 067 010 01	pan-head screw		6							
25	N 012 026 3	lock ring 6		6							
26	N 011 010 6	hexagon nut M 10		2							
27	N 012 242 3	spring washer B 10 X 18		2							
28	999 504 090 00	threaded insert heli-coil M 12 X 1,5		1							
29	925 301 115 00	screw socket		1							
30	900 123 060 30	sealing ring A 24 X 29 AL		1							
31	905 613 102 04	temperature switch		1							
32	900 123 007 30	sealing ring A 14 X 18 AL		1							
33	901 641 632 00	remote temperature sensor		1							
34	E 901 104 382 01	cylinder head nut		2							
35	N 012 242 3	spring washer B 10 X 18		5							
36	E 900 155 018 02	hexagon-head bolt M 10 X 110		1							

Model	Year	MG	SG	Illustration	Restrictions	Update	13:17	05.04.2005	PORSCHE	PET	PORSCHE
911	73	3	07	307-00		187					



Pos	Part Number	Name	Remarks	Qty	Model
		transmission case sportomatic	-71		911 T/E
1	905 301 010 20	transmission case G 700 0001 >> 700 9999 G 710 0001 >> 710 9999 G 770 0001 >> 770 3000 G 730 9101 >> 730 9200 G 730 9201 >> 730 9300 G 730 9301 >> 730 9400 G 730 9401 >> 730 9500 G 730 9501 >> 730 9600 G 720 0001 >> 720 9999	-70	1	911.300/00 911.300/01 911.300/01 911.300/80 911.300/81 911.300/82 911.300/83 911.300/84 905.300/20
2	900 061 118 02	stud BM 10 X 28		2	
-	900 061 138 01	stud BM 8 X 52 G 700 0001 >> 700 9999 G 710 0001 >> 710 9999 G 770 0001 >> 770 3000 G 730 9101 >> 730 9200 G 730 9201 >> 730 9300 G 730 9301 >> 730 9400 G 730 9401 >> 730 9500 G 730 9501 >> 730 9600 G 720 0001 >> 720 9999	-70	1	911.300/00 911.300/01 911.300/01 911.300/80 911.300/81 911.300/82 911.300/83 911.300/84 905.300/20
3	900 061 012 01	stud BM 8 X 50		8	
(3)	900 061 138 01	stud BM 8 X 52	71	1	
4	900 061 007 01	stud BM 8 X 22		9	
5	900 061 057 01	stud BM 8 X 15		2	
6	900 061 004 02	stud BM 8 X 12		3	
7	E 905 302 291 00	thrust ring		1	
8	905 116 727 00	bush for clutch lever shaft		2	
9	905 116 707 01	pin		1	
10	E 999 095 102 00	clamping pin S 5 X 12		1	
11	E 905 116 813 01	guide tube		1	

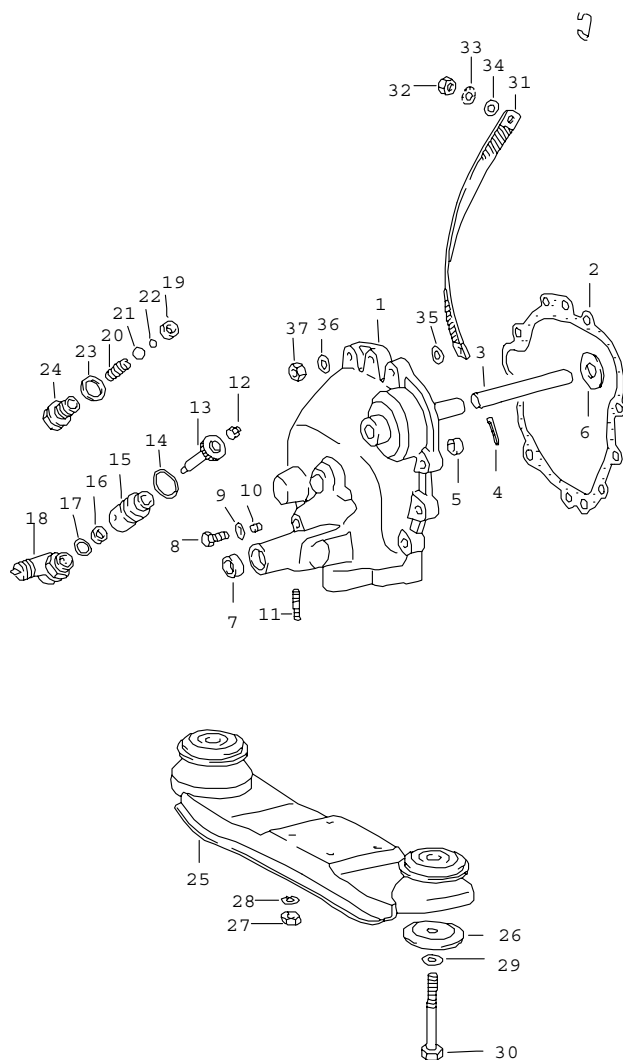
Model	Year	MG	SG	Illustration	Restrictions	Update	13:17	05.04.2005	PORSCHE	PET	PORSCHE
911	73	3	07	307-00		187					

Pos	Part Number	Name	Remarks	Qty	Model	Pos	Part Number	Name	Remarks	Qty	Model
12	* 999 113 286 40	shaft seal 22 X 35 X 8		1		30	N 010 239 11	hexagon-head bolt M 8 X 18		4	
13	904 301 071 00	bleeder		1		31	901 303 241 01	bush for gear lock detent		1	
14	E 999 042 301 01	snap ring SB 52		2		32	E 905 303 242 00	bush for gear lock detent		1	
15	999 041 305 01	snap ring SB 79		1		33	905 303 243 00	bush for gear lock detent		1	
16	* 999 113 058 50	radial sealing ring 45 X 65 X 10		2		34	914 301 307 00	bolt for reverse lever		1	
17	* 905 301 191 00	gasket for transmission case 0,10 MM		X		35	N 012 241 1	spring washer B 8		1	
(17)	* 905 301 191 01	gasket for transmission case 0,15 MM		X		36	E 905 303 136 00	bolt		1	
(17)	* 905 301 191 02	gasket for transmission case 0,20 MM		X		37	905 301 311 11	transmission cover lateral		1	
18	905 303 245 02	cam follower for switch		1		38	* 999 701 286 40	o-ring 160 X 3		1	
19	905 613 051 02	back-up light switch		1		(38)	* 905 301 391 00	gasket for transmission cover lateral without groove old version		1	
20	999 064 019 02	screw plug		1		39	900 076 025 02	hexagon nut M 8		X	
21	999 064 020 02	screw plug with magnet		1		40	N 012 241 1	spring washer B 8 X 15		X	
22	900 076 025 02	hexagon nut M 8		4		41	905 613 101 02	bridging switch G 700 0001 >> 700 9999 G 710 0001 >> 710 9999 G 770 0001 >> 770 3000 G 730 9101 >> 730 9200 G 730 9201 >> 730 9300 G 730 9301 >> 730 9400 G 730 9401 >> 730 9500 G 730 9501 >> 730 9600 G 720 0001 >> 720 9999		1	911.300/00 911.300/01 911.300/01 911.300/80 911.300/81 911.300/82 911.300/83 911.300/84 905.300/20
23	N 012 241 1	spring washer B 8 X 15		4							
24	E 905 301 221 01	intermediate plate		1							
25	900 012 027 00	straight pin 10 M 6 X 45		2							
26	999 052 016 00	four-point bearing		1							
27	999 053 025 00	angular-contact bearing		1							
28	901 301 251 01	tensioning plate		1							
29	999 039 001 00	tab washer		4							

Model	Year	MG	SG	Illustration	Restrictions	Update	13:17	05.04.2005	PORSCHE	PET	PORSCHE
911	73	3	07	307-00		187					

Pos	Part Number	Name	Remarks	Qty	Model	Pos	Part Number	Name	Remarks	Qty	Model
42	914 303 246 10	cam follower for bridging switch		1							
		G 700 0001 >> 700 9999			911.300/00						
		G 710 0001 >> 710 9999			911.300/01						
		G 770 0001 >> 770 3000			911.300/01						
		G 730 9101 >> 730 9200			911.300/80						
		G 730 9201 >> 730 9300			911.300/81						
		G 730 9301 >> 730 9400			911.300/82						
		G 730 9401 >> 730 9500			911.300/83						
		G 730 9501 >> 730 9600			911.300/84						
		G 720 0001 >> 720 9999			905.300/20						
		- - - E N D - - -									

Model	Year	MG	SG	Illustration	Restrictions	Update	13:17	05.04.2005	PORSCHE	PET	PORSCHE
911	73	3	07	307-05		187					

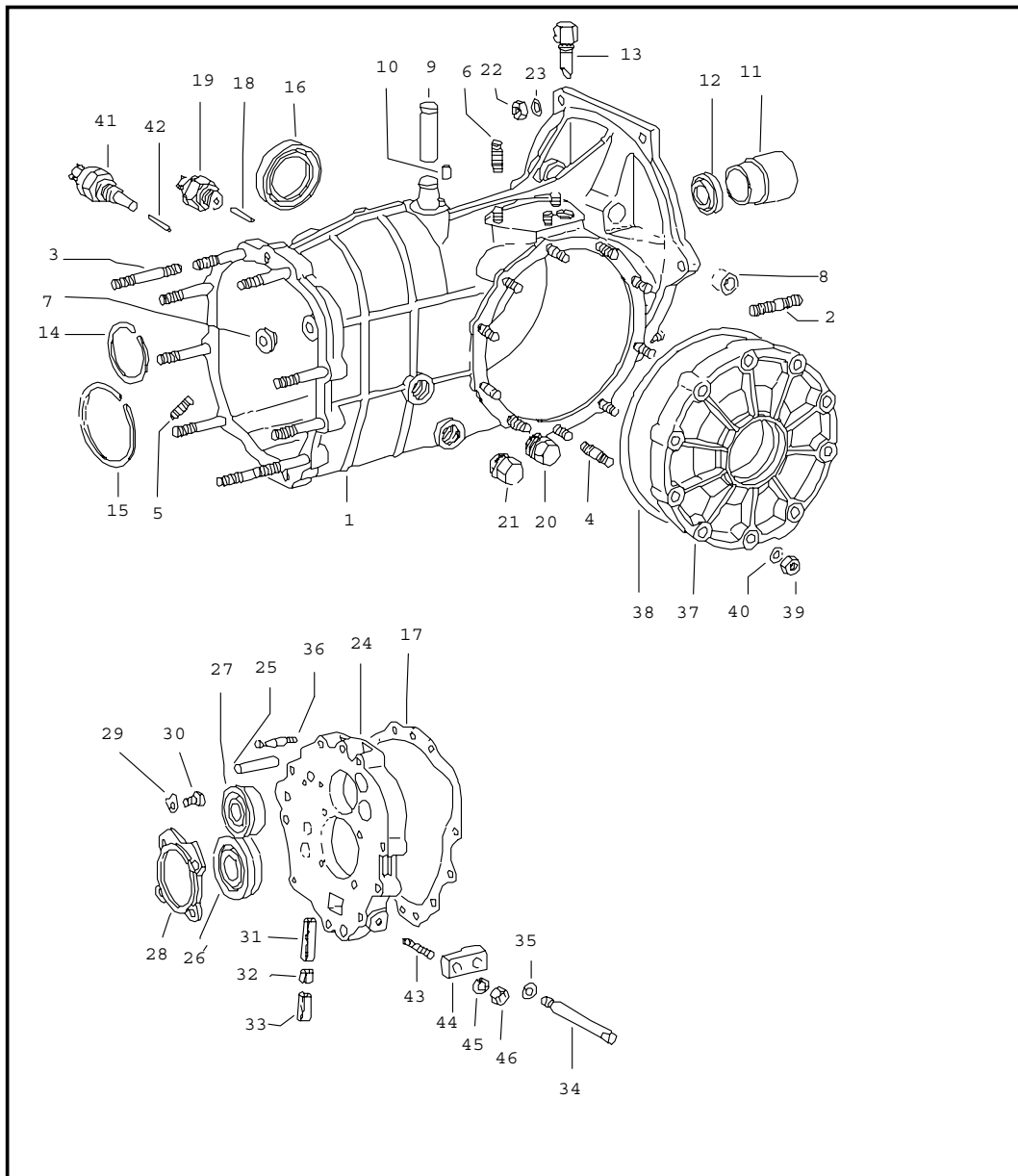


Pos	Part Number	Name	Remarks	Qty	Model
		transmission cover transmission suspension sportomatic	-71		911 T/E
1	905 301 031 20	transmission cover complete with studs G 700 0001 >> 700 9999 G 710 0001 >> 710 9999 G 770 0001 >> 770 3000 G 730 9101 >> 730 9200 G 730 9201 >> 730 9300 G 730 9301 >> 730 9400 G 730 9401 >> 730 9500 G 739 9501 >> 730 9600 G 720 0001 >> 720 9999	-70	1	911.300/00 911.300/01 911.300/01 911.300/80 911.300/81 911.300/82 911.300/83 911.300/84 905.300/20
2	E 905 301 392 02	gasket for transmission cover front		1	
3	E 905 302 255 00	bolt for reverse idler gear		1	
4	900 095 019 01	tensioning sleeve 5 X 30		1	
5	E 901 318 244 01	bearing sleeve		1	
6	E 905 302 292 00	thrust washer for reverse gear		1	
7	* 999 113 185 40	shaft seal A 15 X 24 X 7		1	
8	901 318 272 03	hexagon-head bolt		1	
9	900 031 001 02	washer 8,4		1	
10	999 504 070 00	threaded insert heli-coil		1	
11	900 061 057 01	stud BM 8 X 15		4	
12	901 318 273 01	stop pin		1	
13	905 318 333 10	stub shaft for speedometer drive		1	
14	* 999 701 084 50	o-ring 25,3 X 2,4		1	

Model	Year	MG	SG	Illustration	Restrictions	Update	13:17	05.04.2005	PORSCHE	PET	PORSCHE
911	73	3	07	307-05		187					

Pos	Part Number	Name	Remarks	Qty	Model	Pos	Part Number	Name	Remarks	Qty	Model
15	901 318 243 12	guide bush		1		36	N 012 241 1	spring washer B 8 X 15		X	
16	* 999 113 036 50	radial sealing ring BA 10 X 8 X 6		1		37	900 076 025 02	hexagon nut M 8		X	
17	914 318 261 01	sealing washer		1							
18	911 318 029 00	v-drive		1							
19	E 905 303 236 00	washer		1							
20	905 303 237 00	spring for parking lock		1							
21	N 025 667 2	ball for parking lock 9 MM		1							
22	E 900 108 010 00	ball for parking lock 7 MM		1							
23	* N 013 849 2	sealing ring A 14 X 18 CU		1							
24	905 303 238 00	screw plug		1							
25	E 905 305 031 01	transmission carrier		1							
26	901 305 311 00	seat	71 -70	4 2							
27	E 999 090 101 02	mid-grip nut		4							
28	900 031 001 02	washer 8,4		4							
29	900 027 017 02	lock ring B 12		2							
30	901 305 317 00	hexagon-head bolt		2							
31	999 611 918 20	ground strap		1							
32	900 076 030 02	hexagon nut M 8		1							
33	N 012 132 2	shake-proof washer A 8		1							
34	900 025 025 02	washer 8,4		2							
35	999 151 022 02	washer 20 X 8,4 X 2		2							

Model	Year	MG	SG	Illustration	Restrictions	Update	13:18	05.04.2005	PORSCHE	PET	PORSCHE
911	73	3	07	307-10		187					

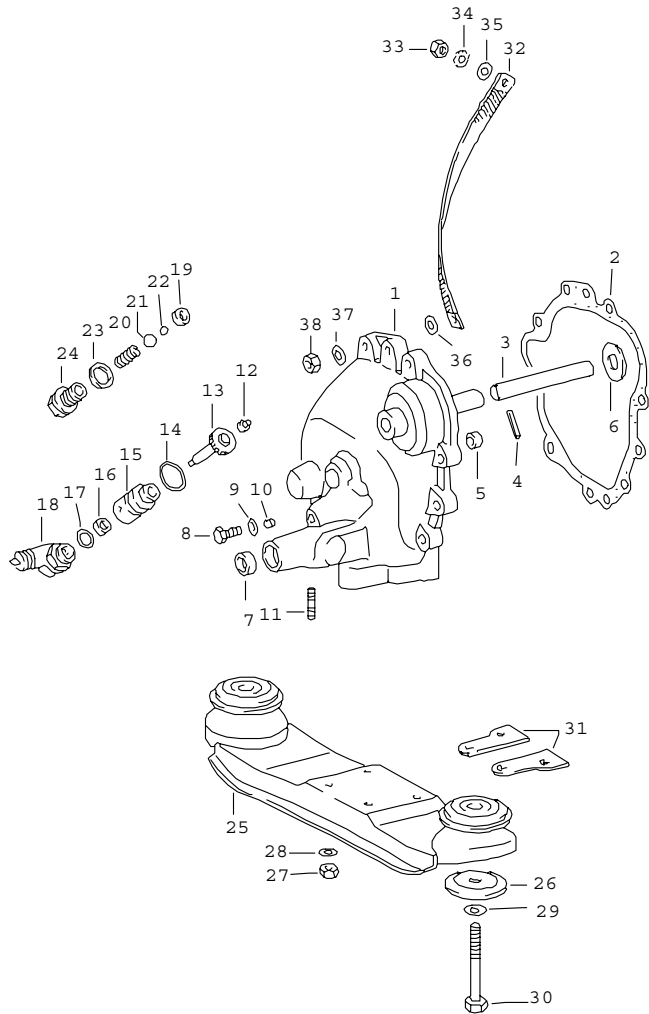


Pos	Part Number	Name	Remarks	Qty	Model
		transmission case sportomatic TYP 905/21	72-		911 T-V
1	905 301 010 20	transmission case		1	
2	900 061 118 02	stud BM 10 X 28		2	
3	900 061 012 01	stud BM 8 X 50		8	
(3)	900 061 138 01	stud BM 8 X 52		1	
4	900 061 007 01	stud BM 8 X 22		9	
5	900 061 057 01	stud BM 8 X 15		2	
6	900 061 004 02	stud BM 8 X 12		3	
7	E 905 302 291 00	thrust ring		1	
8	905 116 727 00	bush		2	
9	905 116 707 01	pin		1	
10	E 999 095 102 00	clamping pin S 5 X 12		1	
11	E 905 116 813 01	guide tube		1	
12	* 999 113 286 40	shaft seal 22 X 35 X 8		1	
13	904 301 071 00	bleeder		1	
14	E 999 042 301 01	snap ring SB 52		2	
15	999 041 305 01	snap ring SB 79		1	
16	* 999 113 058 50	radial sealing ring 45 X 65 X 10		2	
17	* 905 301 191 00	gasket for transmission case 0,10 MM		X	
(17)	* 905 301 191 01	gasket for transmission case 0,15 MM		X	

Model	Year	MG	SG	Illustration	Restrictions	Update	13:18	05.04.2005	PORSCHE	PET	PORSCHE
911	73	3	07	307-10		187					

Pos	Part Number	Name	Remarks	Qty	Model	Pos	Part Number	Name	Remarks	Qty	Model
(17)	* 905 301 191 02	gasket for transmission case 0,20 MM		X		37	905 301 311 11	transmission cover lateral		1	
18	905 303 245 02	cam follower for switch		1		38	* 999 701 286 40	o-ring 160 X 3		1	
19	905 613 051 02	back-up light switch		1		39	900 076 025 02	hexagon nut M 8		X	
20	999 064 019 02	screw plug		1		40	N 012 241 1	spring washer B 8 X 15		X	
21	999 064 020 02	screw plug with magnet		1		41	905 613 101 02	bridging switch		1	
22	900 076 025 02	hexagon nut M 8		4		42	914 303 246 10	cam follower for bridging switch		1	
23	N 012 241 1	spring washer B 8 X 15		4		43	E 905 301 351 00	stud		1	
24	E 905 301 221 01	intermediate plate		1		44	E 905 423 321 00	intermediate piece		1	
25	900 012 027 00	straight pin 10 M 6 X 45		2		45	900 025 007 02	washer 8,4		1	
26	999 052 016 00	four-point bearing		1		46	E 999 090 101 02	mid-grip nut		1	
27	999 053 025 00	angular-contact bearing		1				- - - E N D - - -			
28	901 301 251 01	tensioning plate		2							
29	999 039 001 00	tab washer		4							
30	N 010 239 11	hexagon-head bolt M 8 X 18		4							
31	901 303 241 01	bush for gear lock detent		1							
32	E 905 303 242 00	bush for gear lock detent		1							
33	905 303 243 00	bush for gear lock detent		1							
34	914 301 307 00	bolt		1							
35	900 031 001 02	washer 8,4		2							
36	E 905 303 136 00	bolt		1							

Model	Year	MG	SG	Illustration	Restrictions	Update	13:18	05.04.2005	PORSCHE	PET	PORSCHE
911	73	3	07	307-15		187					

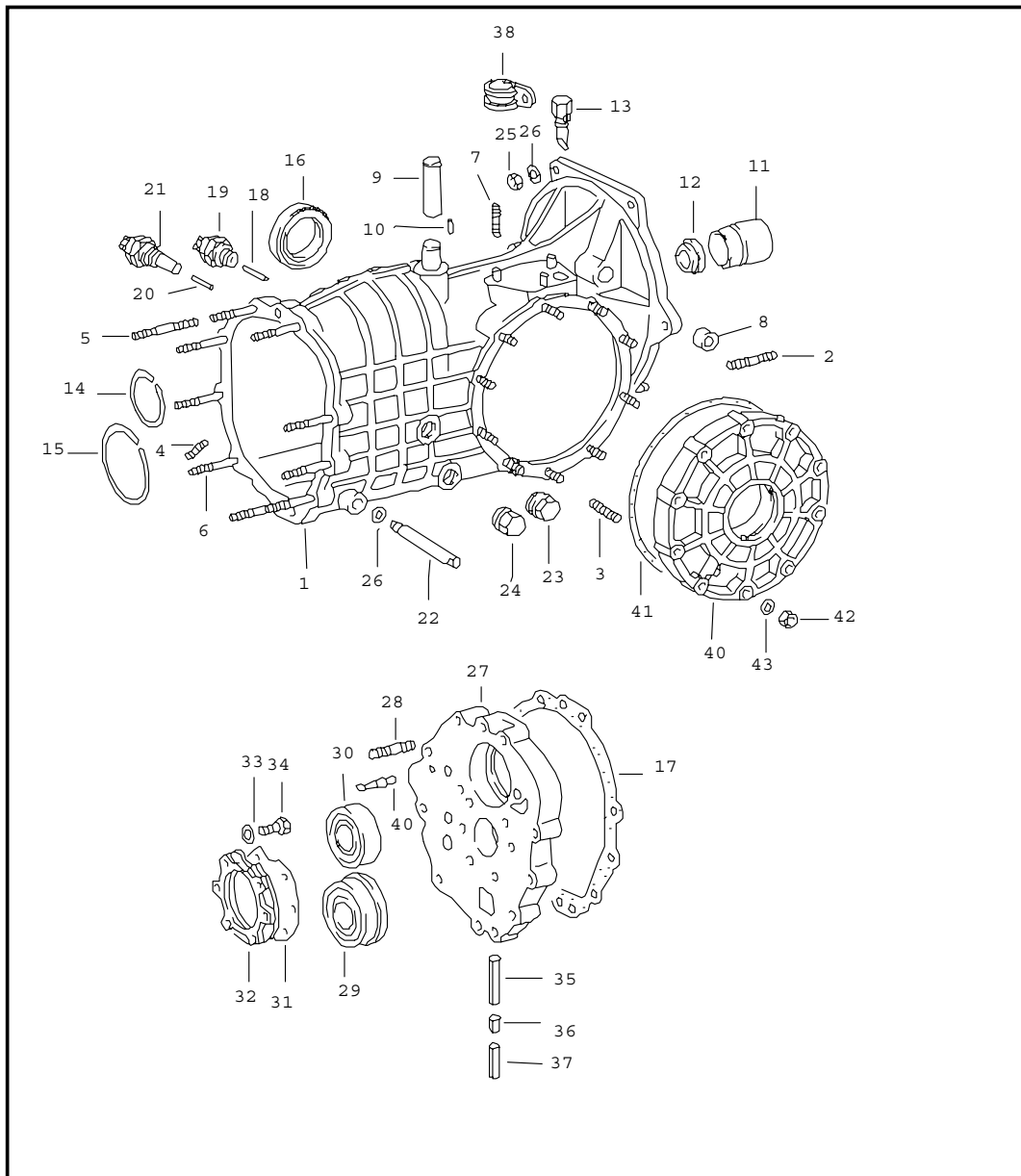


Pos	Part Number	Name	Remarks	Qty	Model
		transmission cover transmission suspension sportomatic TYP 905/21	72-		911 T-V
1	905 301 031 20	transmission cover complete		1	
2	E 905 301 392 02	gasket for transmission cover front		1	
3	E 905 302 255 00	bolt for reverse idler gear		1	
4	900 095 019 01	tensioning sleeve 5 X 30		1	
5	E 901 318 244 01	bearing sleeve		1	
6	E 905 302 292 00	thrust washer		1	
7	* 999 113 185 40	shaft seal B 15 X 24 X 7		1	
8	901 318 272 03	hexagon-head bolt		1	
9	900 031 001 02	washer 8,4		1	
10	999 504 070 00	threaded insert heli-coil		1	
11	900 061 057 01	stud BM 8 X 15		4	
12	901 318 273 01	stop pin for reverse gear		1	
13	905 318 333 10	stub shaft for speedometer drive		1	
14	* 999 701 084 50	o-ring 25,3 X 2,4		1	
15	901 318 243 12	guide bush		1	
16	* 999 113 036 50	radial sealing ring BA 10 X 8 X 6		1	
17	* 914 318 261 01	sealing washer		1	
18	911 318 029 00	v-drive		1	

Model	Year	MG	SG	Illustration	Restrictions	Update	13:18	05.04.2005	PORSCHE	PET	PORSCHE
911	73	3	07	307-15		187					

Pos	Part Number	Name	Remarks	Qty	Model	Pos	Part Number	Name	Remarks	Qty	Model
19	E 905 303 236 00	washer		1							
20	905 303 237 00	spring for parking lock		1							
21	N 025 667 2	ball for parking lock 9 MM		1							
22	E 900 108 010 00	ball for parking lock 7 MM		1							
23	N 013 849 2	sealing ring A 14 X 18 CU		1							
24	905 303 238 00	screw plug		1							
25	E 905 305 031 01	transmission carrier		1							
26	901 305 311 00	seat		4							
27	E 999 090 101 02	mid-grip nut		4							
28	900 031 001 02	washer 8,4		4							
29	900 027 017 02	lock ring B 12		2							
30	901 305 317 00	hexagon-head bolt		2							
31	901 375 311 00	plate		2							
32	999 611 918 20	ground strap		1							
33	900 076 030 02	hexagon nut M 8		1							
34	N 012 132 2	shake-proof washer A 8		1							
35	900 025 025 02	washer 8,4		2							
36	999 151 022 02	washer 20 X 8,4 X 2		2							
37	N 012 241 1	spring washer B 8 X 15		X							
38	900 076 025 02	hexagon nut M 8		X							
- - - E N D - - -											

Model	Year	MG	SG	Illustration	Restrictions	Update	13:18	05.04.2005	PORSCHE	PET	PORSCHE
911	73	3	07	307-20		187					



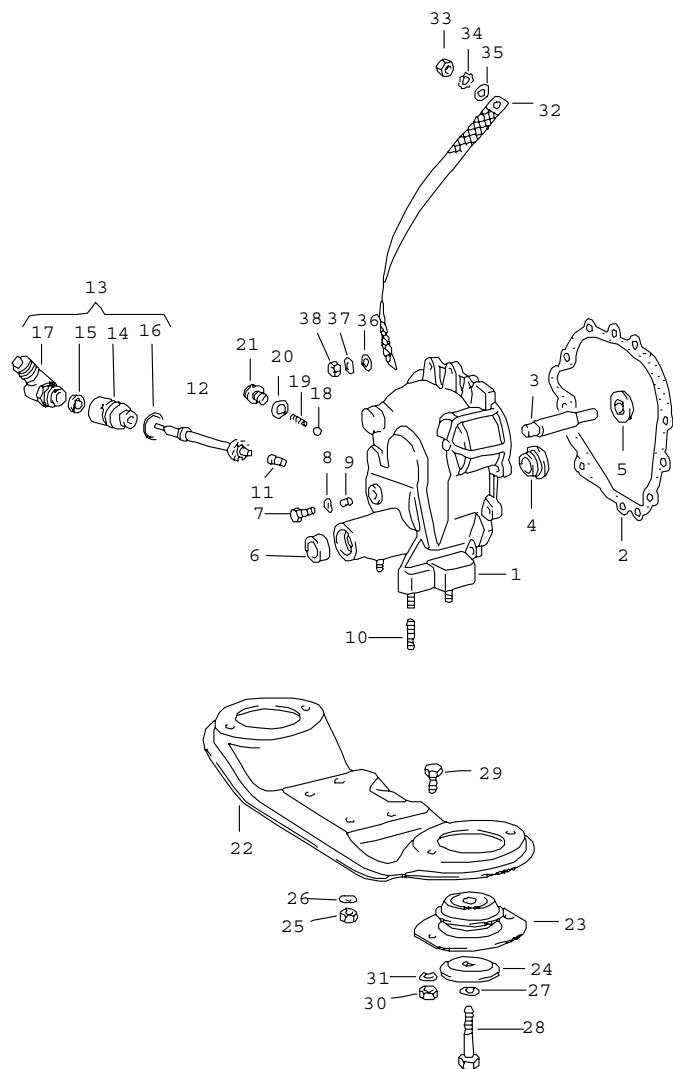
Pos	Part Number	Name	Remarks	Qty	Model
		transmission case sportomatic TYP 925	72-		911 T-E/E/S CARRERA 2.7 911 T-K
1	925 301 010 10	transmission case complete with studs		1	
2	900 061 118 02	stud BM 10 X 28		2	
3	999 062 008 02	stud BM 8 X 25		10	
4	900 061 057 02	stud BM 8 X 15		2	
5	E 900 061 070 02	stud BM 8 X 55		8	
6	900 061 050 02	stud BM 8 X 60		1	
7	900 061 004 02	stud BM 8 X 12		3	
8	905 116 727 00	bush for clutch lever shaft		2	
9	905 116 707 01	pin		1	
10	E 900 309 017 00	spiral clamping pin 5 X 12		1	
11	E 905 116 813 01	guide tube		1	
12	* 999 113 286 40	shaft seal		1	
13	904 301 071 00	bleeder		1	
14	E 999 042 301 01	snap ring SB 52		3	
15	999 041 305 01	snap ring SB 79		1	
16	* 999 113 183 40	radial shaft seal 45 X 68 X 10		2	
17	* 925 301 191 00	gasket for transmission case 0,10 MM		X	

Model	Year	MG	SG	Illustration	Restrictions	Update	13:18	05.04.2005	PORSCHE	PET	PORSCHE
911	73	3	07	307-20		187					

Pos	Part Number	Name	Remarks	Qty	Model	Pos	Part Number	Name	Remarks	Qty	Model
(17)	* 925 301 191 01	gasket for transmission case 0,15 MM		X		35	901 303 241 01	bush for gear lock detent		1	
(17)	* 925 301 191 02	gasket for transmission case 0,20 MM		X		36	E 905 303 242 00	bush for gear lock detent		1	
18	905 303 245 02	cam follower for switch		1		37	905 303 243 00	bush for gear lock detent		1	
19	905 613 051 02	back-up light switch		1		38	N 020 607 1	clamp		1	
20	914 303 246 10	cam follower for bridging switch		1		39	E 905 303 136 00	bolt		1	
21	905 613 101 02	bridging switch		1		40	925 301 311 01	transmission cover lateral		1	
22	914 301 307 00	bolt for reverse lever		1		41	* 999 701 376 40	o-ring 170 X 3,5		1	
23	999 064 019 02	screw plug		1		42	E 999 090 101 02	mid-grip nut		X	
24	999 064 020 02	screw plug with magnet		1		43	900 031 001 02	washer 8,4		X	
25	E 999 090 101 02	mid-grip nut		4				- - - E N D - - -			
26	900 031 001 02	washer 8,4		5							
27	925 301 221 00	intermediate plate		1							
28	900 012 027 00	straight pin 10 M 6 X 40		2							
29	999 052 016 00	four-point bearing		1							
30	900 052 096 00	deep-groove ball bearing 6306		1							
31	925 301 255 00	plate		1							
32	925 301 035 00	tensioning plate		1							
33	900 025 007 02	washer 8,4		6							
34	900 075 083 02	hexagon-head bolt M 8 X 35		4							

Model	Year	MG	SG	Illustration	Restrictions	Update	13:18	05.04.2005	PORSCHE	PET	PORSCHE
911	73	3	07	307-25		187					

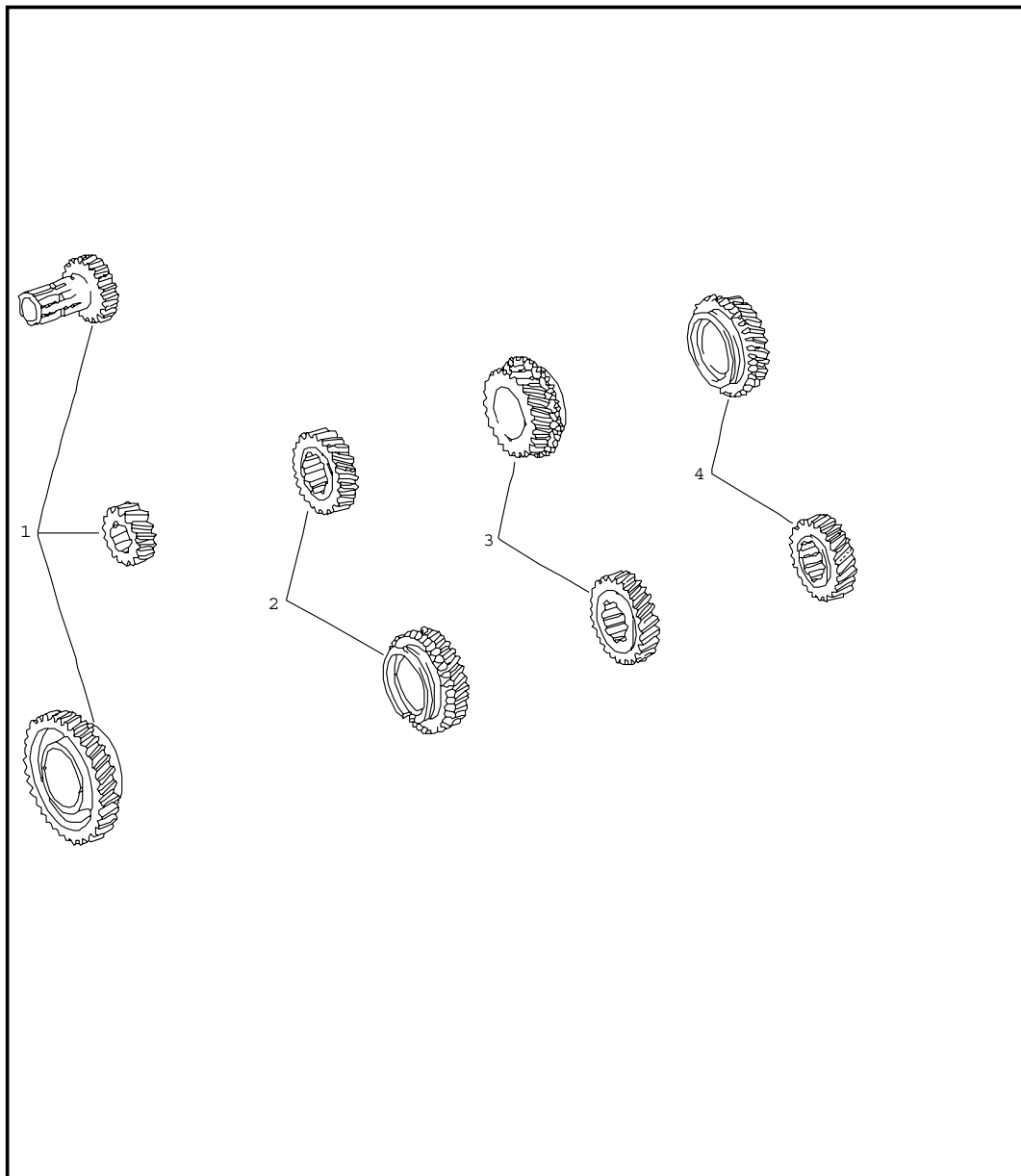
Pos	Part Number	Name	Remarks	Qty	Model
		transmission cover transmission suspension sportomatic TYP 925	72-		911 T-E/E/S CARRERA 2.7 911T-K
1	925 301 031 02	transmission cover front		1	
2	* 925 301 392 00	gasket		1	
3	925 302 255 00	bolt for reverse idler gear		1	
4	925 302 292 00	thrust washer		1	
5	925 302 291 00	thrust washer		1	
6	* 999 113 185 40	shaft seal A 15 X 24 X 7		1	
7	901 318 272 03	hexagon-head bolt		1	
8	900 031 001 02	washer 8,4		1	
9	999 504 070 00	threaded insert heli-coil M 8 X 10		1	
10	999 062 006 02	stud BM 8 X 20		4	
11	915 318 339 00	bearing sleeve		1	
12	E 925 318 031 05	shaft		1	
13	925 318 045 00	speedometer drive complete		1	
14	915 318 341 20	guide bush		1	
15	* 999 113 175 40	shaft seal 6 X 15 X 6		1	
16	* 999 701 084 50	o-ring 25,3 X 2,4		1	
17	925 318 029 01	v-drive		1	
18	N 025 667 2	ball for parking lock 9 MM		1	
19	905 303 237 00	spring for parking lock		1	



Model	Year	MG	SG	Illustration	Restrictions	Update	13:18	05.04.2005	PORSCHE	PET	PORSCHE
911	73	3	07	307-25		187					

Pos	Part Number	Name	Remarks	Qty	Model	Pos	Part Number	Name	Remarks	Qty	Model
20	* 900 123 007 30	sealing ring A 14 X 18 AL		1							
21	925 303 238 00	screw plug		1							
22	911 375 033 01	transmission carrier		1							
23	911 375 043 00	bearing		2							
24	901 305 311 00	seat		2							
25	E 999 090 101 02	mid-grip nut		4							
26	900 031 001 02	washer 8,4		4							
27	900 027 017 02	lock ring B 12		2							
28	901 305 317 00	hexagon-head bolt		2							
29	900 075 087 02	hexagon-head bolt M 8 X 16		4							
30	900 076 025 02	hexagon nut M 8		4							
31	900 027 015 02	lock ring B 8		4							
32	999 611 918 20	ground strap		1							
33	900 076 030 02	hexagon nut M 8		1							
34	N 012 132 2	shake-proof washer A 8,4		1							
35	900 025 025 02	washer 8,4		1							
36	999 151 022 02	washer 20 X 8,4 X 2		2							
37	900 031 001 02	washer 8,4		X							
38	E 999 090 101 02	mid-grip nut		X							
		- - - E N D - - -									

Model	Year	MG	SG	Illustration	Restrictions	Update	13:19	05.04.2005	PORSCHE	PET	PORSCHE
911	73	3	08	308-00		187					

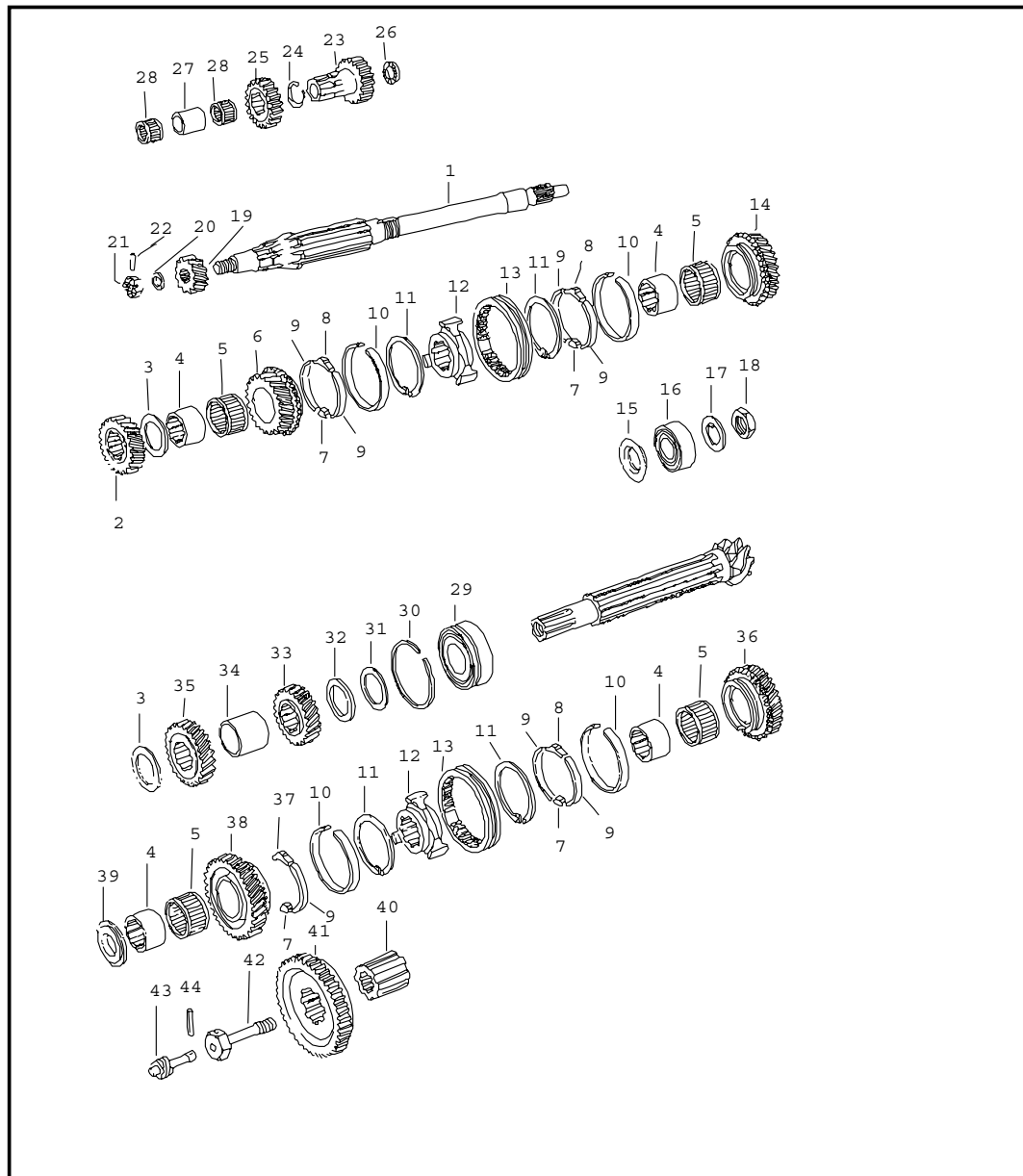


Pos	Part Number	Name	Remarks	Qty	Model
		gear sets for 4-speed transmission sportomatic	-71 72-		911 T/E/S 911 T-V
		gear sets for TYP 905/13	-70		911 T/E/S
1	905 302 906 10	gear set 1st gear Z = 15:36 (C) wheel 2 for reverse gear fixed gear wheel loose gear wheel		1	
2	905 302 907 00	gear wheel pair 2nd gear Z = 19:31 (HB) fixed gear wheel loose gear wheel		1	
3	901 302 910 10	gear wheel pair 3rd speed Z = 23:28 (O) fixed gear wheel loose gear wheel		1	
4	904 302 930 10	gear wheel pair 4th speed Z = 27:25 (V) fixed gear wheel loose gear wheel		1	
		gear sets for TYP 905.300/20 + TYP 905.300/21	-71 72-		911 T/E/S 911 T-V
1	905 302 906 10	gear set 1st gear Z = 15:36 (C) wheel 2 for reverse gear fixed gear wheel loose gear wheel		1	
2	901 302 908 10	gear wheel pair 2nd gear Z = 20:31 (I) fixed gear wheel loose gear wheel		1	

Model	Year	MG	SG	Illustration	Restrictions	Update	13:19	05.04.2005	PORSCHE	PET	PORSCHE
911	73	3	08	308-00		187					

Pos	Part Number	Name	Remarks	Qty	Model	Pos	Part Number	Name	Remarks	Qty	Model
3	E 904 302 920 10	gear wheel pair 3rd speed Z = 24:27 (Q) fixed gear wheel loose gear wheel		1							
4	904 302 924 10	gear wheel pair 4th speed Z = 28:24 (X) fixed gear wheel loose gear wheel		1							
		- - - E N D - - -									

Model	Year	MG	SG	Illustration	Restrictions	Update	13:19	05.04.2005	PORSCHE	PET	PORSCHE
911	73	3	08	308-05		187					

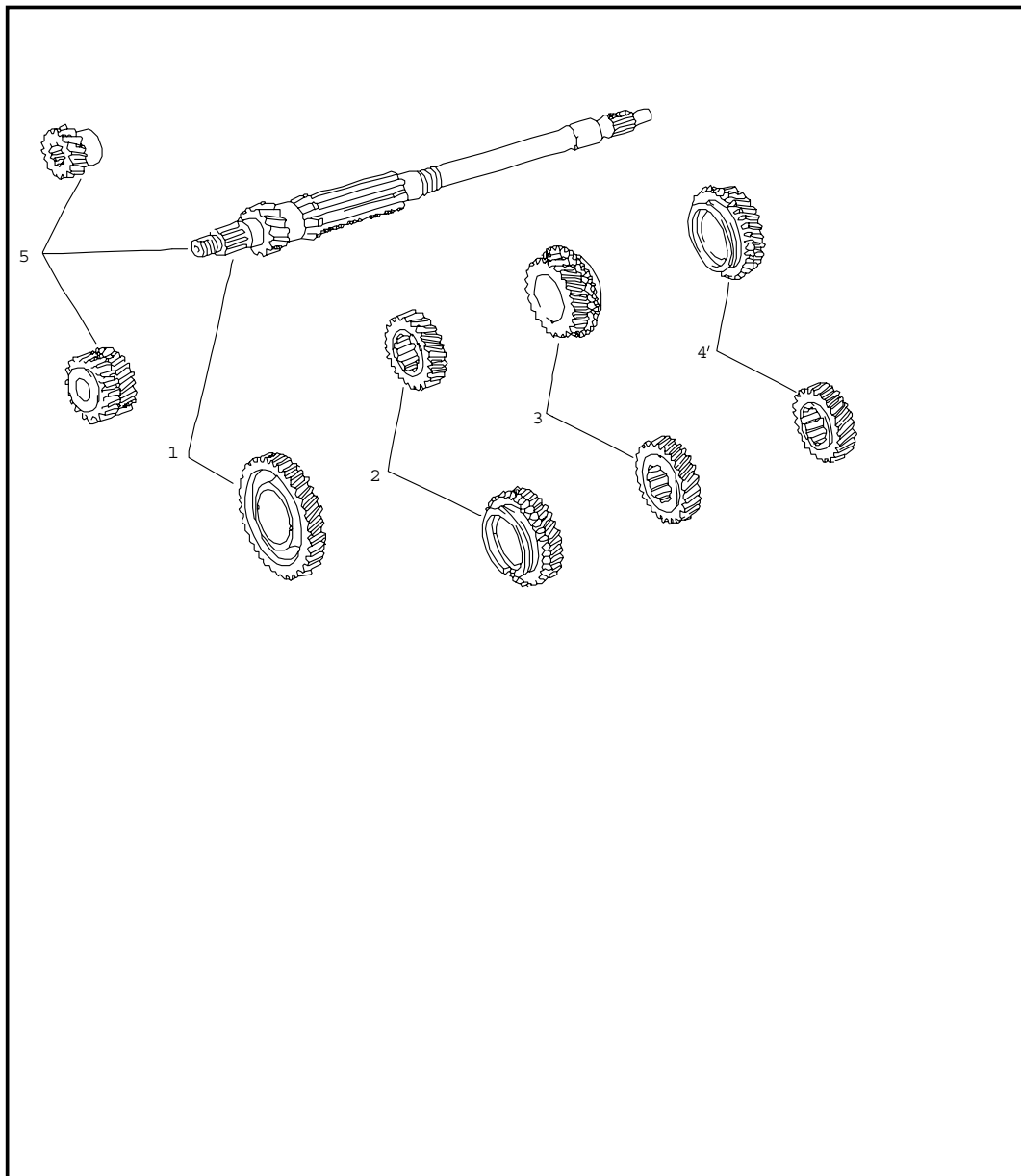


Pos	Part Number	Name	Remarks	Qty	Model
		gears and shafts sportomatic	-70 -71 72-		911 S 911 T/E 911 T-V
		gear sets see group 3/08/00			
1	905 302 101 00	drive shaft		1	
2	* --- --- --- --	fixed gear wheel 2nd gear		1	
3	901 302 294 01	thrust washer		2	
4	E 901 302 261 01	bush for needle-roller bearing 1.- 4th speed		4	
5	999 201 104 00	needle cage 1.- 4th speed		4	
(5)	999 201 470 00	needle cage 1.- 4th speed	72-	4	911 T VERGASER
6	* --- --- --- --	loose gear wheel 3rd speed		1	
7	911 302 317 01	stop 1. - 4th speed		4	
8	911 302 315 00	stone 2. - 4th speed		3	
9	911 302 316 00	brake band 1. - 4th speed		7	
10	925 302 301 02	synchroniser ring 1. - 4th speed		4	
11	911 302 311 01	circlip 1. - 4th speed		4	
(11)	911 302 311 01	circlip 1. - 4th speed	72-	4	911 T VERGASER

Model	Year	MG	SG	Illustration	Restrictions	Update	13:19	05.04.2005	PORSCHE	PET	PORSCHE
911	73	3	08	308-05		187					

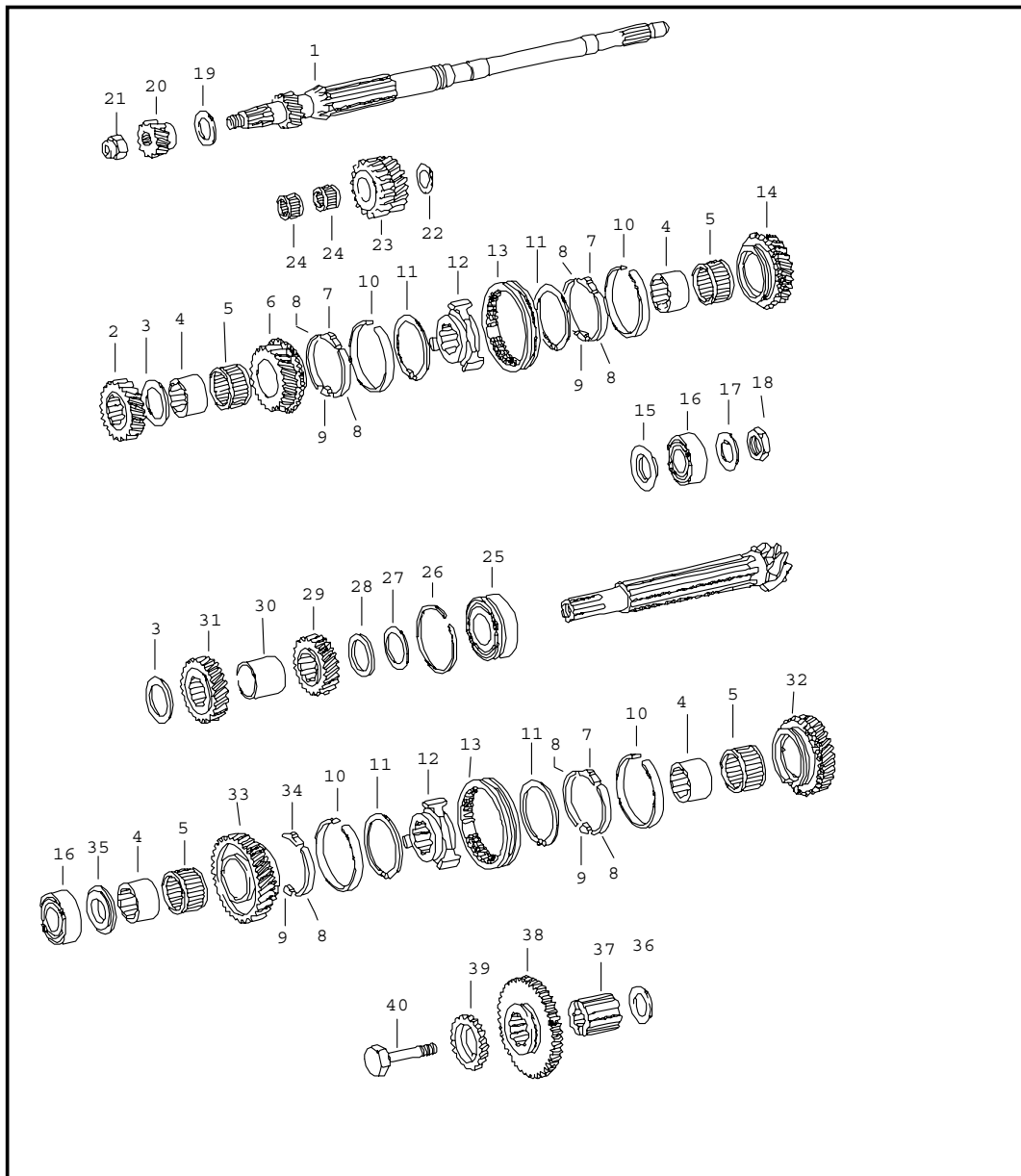
Pos	Part Number	Name	Remarks	Qty	Model	Pos	Part Number	Name	Remarks	Qty	Model
12	901 302 402 02	guide sleeve 2. - 4th speed		2		(31)	901 302 297 11	adjusting shim 0,30 MM		X	
13	911 302 411 10	shift sleeve 1. - 4th speed		2		(31)	901 302 297 21	adjusting shim 0,40 MM		X	
14	* --- --- --- --	loose gear wheel 4th speed		1		32	901 302 298 01	spacer		1	
15	901 302 268 01	spacer		1		33	* --- --- --- --	fixed gear wheel 4th speed		1	
16	999 110 008 00	cylindrical-roller bearing		1		34	901 302 265 01	spacer sleeve		1	
17	E 999 038 001 00	tab washer		1		35	* --- --- --- --	fixed gear wheel 3rd speed		1	
18	999 183 001 00	hexagon nut M 24 X 1,5		1		36	* --- --- --- --	loose gear wheel 2nd gear		1	
19	* --- --- --- --	fixed gear wheel 1st gear		1		37	E 901 302 318 02	stone for 1st gear		1	
20	E 999 031 067 00	washer		1		38	* --- --- --- --	loose gear wheel 1st gear		1	
21	999 079 011 02	castle nut		1		39	E 901 302 269 01	thrust washer		1	
22	900 309 004 00	roll pin 3 X 18		1		40	E 905 302 257 00	sleeve		1	
23	* --- --- --- --	gear wheel II for reverse gear		1		41	E 905 302 224 02	sliding gear for reverse gear		1	
24	E 999 041 309 01	snap ring		1		42	901 302 271 01	elastic bolt		1	
25	E 905 302 223 00	gear wheel III for reverse gear		1		43	905 318 331 10	shaft		1	
26	999 202 003 00	needle-roller bearing		1		44	E 900 197 002 00	tensioning sleeve 4 X 28		1	
27	E 905 302 265 00	spacer sleeve for reverse idler gear		1				- - - E N D - - -			
28	999 201 106 00	needle cage INA K 14 X 18 X 15		2							
29	999 110 007 00	cylindrical-roller bearing		1							
30	900 111 002 00	snap ring SP 72		1							
31	901 302 297 01	adjusting shim 0,25 MM		X							

Model	Year	MG	SG	Illustration	Restrictions	Update	13:19	05.04.2005	PORSCHE	PET	PORSCHE
911	73	3	08	308-10		187					



Pos	Part Number	Name	Remarks	Qty	Model
		gear sets 4-speed transmission sportomatic	72-		911 T-E/E/S CARRERA 2.7 911 T-K
		gear sets 925.300/00 925.300/01			
1	E 925 302 901 00	gear set 1st gear Z = 15:36 (C) drive shaft loose gear wheel		1	
2	901 302 908 10	gear wheel pair 2nd gear Z = 20:31 (I) loose gear wheel fixed gear wheel		1	
3	E 904 302 920 10	gear wheel pair 3rd speed Z = 24:27 (Q) loose gear wheel fixed gear wheel		1	
4	904 302 924 10	gear wheel pair 4th speed Z = 28:24 (X) loose gear wheel fixed gear wheel		1	
5	925 302 912 00	gear set reverse gear gear wheel I reverse idler gear		1	
		- - - E N D - - -			

Model	Year	MG	SG	Illustration	Restrictions	Update	13:20	05.04.2005	PORSCHE	PET	PORSCHE
911	73	3	08	308-15		187					



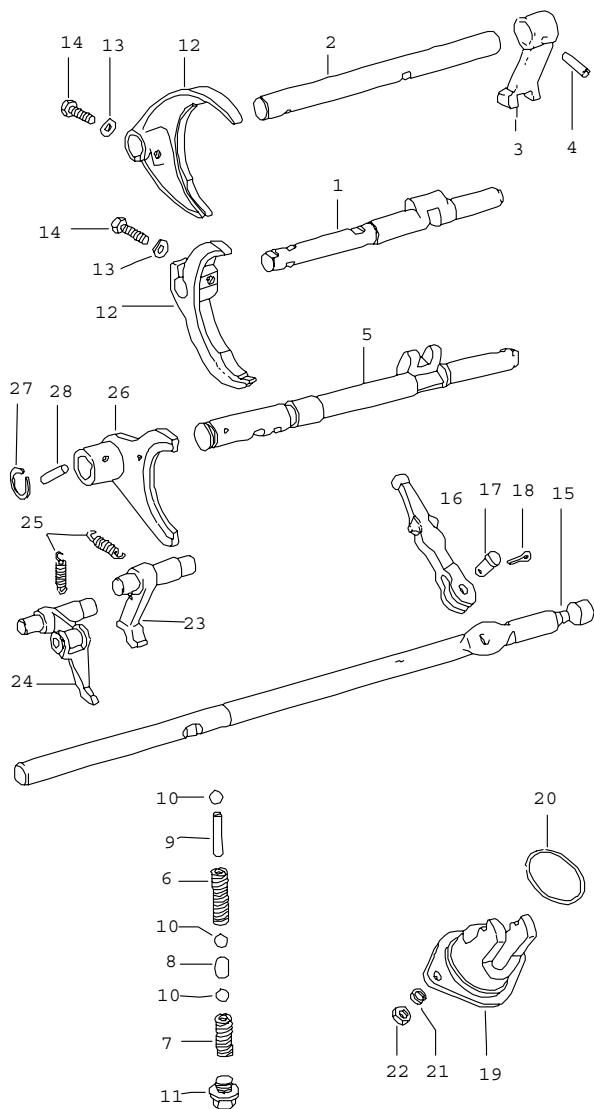
Pos	Part Number	Name	Remarks	Qty	Model
		gears and shafts sportomatic	72-		
		gear sets see group 3/08/10			
1	* --- --- --- --	drive shaft		1	
2	* --- --- --- --	fixed gear wheel 2nd gear		1	
3	901 302 294 01	thrust washer		2	
4	E 901 302 261 01	bush		4	
5	999 201 470 00	needle cage		4	
6	* --- --- --- --	loose gear wheel 3rd speed		1	
7	911 302 315 00	stone 2. - 4th speed		3	
8	911 302 316 00	brake band		7	
9	911 302 317 01	stop		4	
10	925 302 301 02	synchroniser ring		4	
11	911 302 311 01	circlip		4	
12	901 302 402 02	guide sleeve		2	
13	911 302 411 10	shift sleeve		2	
14	* --- --- --- --	loose gear wheel 4th speed		1	
15	E 925 302 270 00	thrust washer		1	
16	999 110 008 00	cylindrical-roller bearing		2	
17	E 999 038 001 00	tab washer		1	
18	999 183 001 00	hexagon nut		4	
19	925 302 259 00	spacer ring		1	
20	* --- --- --- --	gear wheel I for reverse gear		1	
21	925 302 283 00	collar nut		1	
22	999 202 001 00	axial needle bearing cage		1	

Model	Year	MG	SG	Illustration	Restrictions	Update	13:20	05.04.2005	PORSCHE	PET	PORSCHE
911	73	3	08	308-15		187					

Pos	Part Number	Name	Remarks	Qty	Model	Pos	Part Number	Name	Remarks	Qty	Model
23	* --- --- --- --	reverse idler gear		1							
24	999 201 106 00	needle cage		2							
25	999 110 007 00	cylindrical-roller bearing		1							
26	900 111 002 00	snap ring SP 72		1							
27	901 302 297 01	adjusting shim 0,25 MM		X							
(27)	901 302 297 11	adjusting shim 0,30 MM		X							
(27)	901 302 297 21	adjusting shim 0,40 MM		X							
28	925 302 299 00	spacer ring		1							
29	* --- --- --- --	fixed gear wheel 4th speed		1							
30	901 302 265 01	spacer sleeve		1							
31	* --- --- --- --	fixed gear wheel 3rd speed		1							
32	* --- --- --- --	loose gear wheel 2nd gear		1							
33	* --- --- --- --	loose gear wheel 1st gear		1							
34	E 901 302 318 02	stone 1st gear		1							
35	901 302 268 01	spacer		1							
36	925 302 281 00	spacer		1							
37	925 302 257 00	sleeve		1							
38	925 302 224 00	sliding gear for reverse gear		1							
39	925 318 331 01	drive wheel for speedometer		1							
40	925 302 271 00	elastic bolt		1							
		- - - E N D - - -									

Model	Year	MG	SG	Illustration	Restrictions	Update	13:20	05.04.2005	PORSCHE	PET	PORSCHE
911	73	3	09	309-00		187					

Pos	Part Number	Name	Remarks	Qty	Model
		shift rods forks TYP 905 sportomatic	-71 72-		911 T/E 911 T-V
1	901 303 101 01	gear shift rod 1st/2nd gear		1	
2	901 303 103 01	gear shift rod 3rd, 4th speed		1	
3	901 303 161 01	contact		1	
4	900 309 003 00	roll pin 5 X 24		1	
5	E 905 303 141 03	gear shift rod for reverse gear		1	
6	901 303 232 01	compression spring for gear lock detent 1. - 4th speed		1	
7	E 905 303 232 01	compression spring for gear lock detent reverse gear		1	
8	905 303 211 00	detent for gear lock detent		1	
9	901 303 271 01	pin for gear lock detent		1	
10	N 025 667 2	ball 9 MM		3	
11	999 065 001 02	screw plug		1	
12	901 303 111 01	shift fork for forward speed		2	
13	N 012 241 1	spring washer B 8 X 15		2	
14	900 075 083 02	hexagon-head bolt M 8 X 25		2	

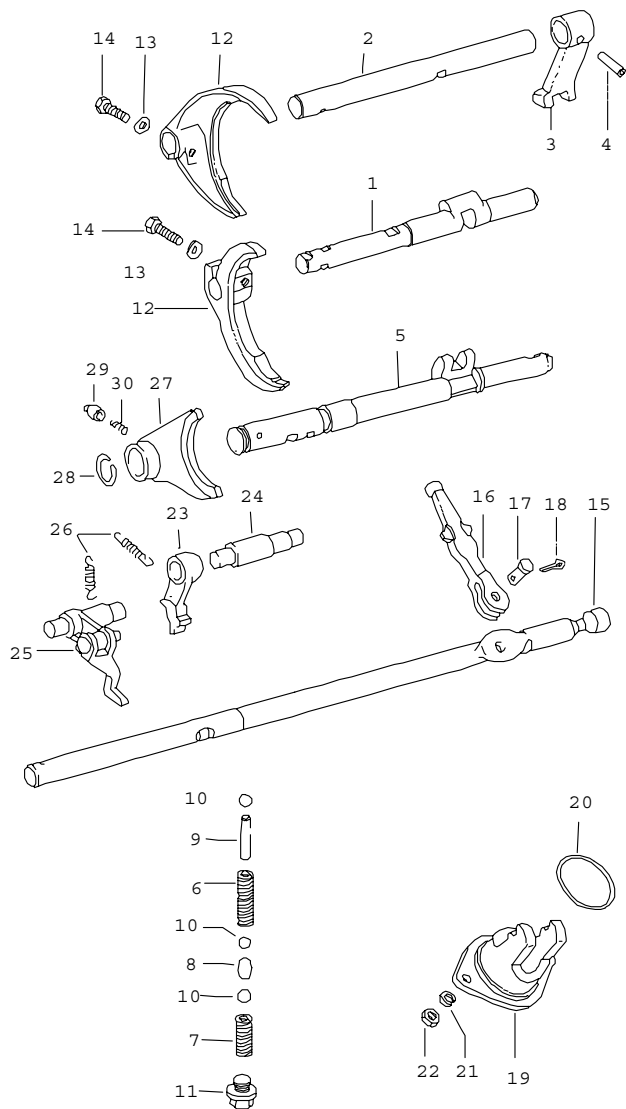


Model	Year	MG	SG	Illustration	Restrictions	Update	13:20	05.04.2005	PORSCHE	PET	PORSCHE
911	73	3	09	309-00		187					

Pos	Part Number	Name	Remarks	Qty	Model	Pos	Part Number	Name	Remarks	Qty	Model
15	905 303 132 20	gear shift rod G 700 0001 >> 700 9999 G 730 0001 >> 710 9999 G 770 0001 >> 770 3000 G 730 9101 >> 730 9200 G 730 9201 >> 730 9300 G 730 9301 >> 730 9400 G 730 9401 >> 730 9500 G 730 9501 >> 730 9600 G 720 0001 >> 720 9999	-70	1	911.300/00 911.300/01 911.300/01 911.300/80 911.300/81 911.300/82 911.300/83 911.300/84 905.300/20						
16	901 303 133 01	shift lever		1							
17	E 901 303 171 01	bolt		1							
18	N 012 512 1	cotter pin 2 X 12		1							
19	911 303 129 00	fork		1							
20	* 999 701 359 40	o-ring		1							
(20)	* 901 303 191 01	gasket for fork old version		1							
21	900 027 015 02	lock ring B 8		2							
22	900 076 025 02	hexagon nut M 8		2							
23	905 303 013 00	stop for gear lock detent		1							
24	905 303 015 00	lever for parking lock		1							
25	905 303 235 00	tension spring		2							
26	905 303 151 04	shift fork for reverse gear		1							
27	999 041 301 01	snap ring SW 18		1							
28	905 303 149 00	bolt		1							
		- - - E N D - - -									

Model	Year	MG	SG	Illustration	Restrictions	Update	13:20	05.04.2005	PORSCHE	PET	PORSCHE
911	73	3	09	309-05		187					

Pos	Part Number	Name	Remarks	Qty	Model
		shift rods forks TYP 925 sportomatic	72-		911 T-E/E/S CARRERA 2.7
1	901 303 101 01	gear shift rod 1st/2nd gear		1	
2	901 303 103 01	gear shift rod 3rd, 4th speed		1	
3	901 303 161 01	contact		1	
4	900 309 003 00	roll pin 5 X 24		1	
5	925 303 141 01	gear shift rod for reverse gear		1	
6	901 303 232 01	compression spring for gear lock detent 1. - 4th speed		1	
7	E 905 303 232 01	compression spring for gear lock detent reverse gear		1	
8	905 303 211 00	detent for gear lock detent		1	
9	901 303 271 01	pin for gear lock detent		1	
10	N 025 667 2	ball 9 MM		3	
11	999 065 004 02	screw plug		1	
12	901 303 111 01	shift fork for forward speed		2	
13	N 012 241 1	spring washer B 8 X 15		2	
14	900 075 083 02	hexagon-head bolt M 8 X 25		2	
15	905 303 132 20	gear shift rod		1	
16	901 303 133 01	shift lever		1	



Model	Year	MG	SG	Illustration	Restrictions	Update	13:20	05.04.2005	PORSCHE	PET	PORSCHE
911	73	3	09	309-05		187					

Pos	Part Number	Name	Remarks	Qty	Model	Pos	Part Number	Name	Remarks	Qty	Model
17	E 901 303 171 01	bolt		1							
18	N 012 512 1	cotter pin 2 X 12		1							
19	911 303 129 00	fork		1							
20	* 999 701 359 40	o-ring OR 40 X 1,5		1							
21	900 027 015 02	lock ring B 8		2							
22	900 076 025 02	hexagon nut M 8		2							
23	E 925 303 137 01	stop for gear lock detent		1							
24	E 925 303 138 00	shaft		1							
25	E 925 303 015 02	lever for parking lock		1							
26	905 303 235 00	tension spring		2							
27	E 925 303 151 00	shift fork for reverse gear		1							
28	999 041 301 01	snap ring SW 18		1							
29	925 303 149 01	locking bolt		1							
30	925 303 148 01	spring		1							
		- - - E N D - - -									

Model	Year	MG	SG	Illustration	Restrictions	Update	15:12	11.04.2005
911	73	3	98	REP		187		

Pos	Part Number	Name	Remarks	Qty	Model
>>	> 901 300 010 06	replacement transmission repair kits set of seals transmission complete 901/06 1st gear Z = 11:34 2nd gear Z = 19:31 3rd speed Z = 25:26 4th speed Z = 29:23 with differential normal	-70	1	911 T/E 911 S:M
>>	> 901 300 012 07	transmission complete 901/07 not available replacement transmission 901.300/13 901 300 012 13	-70	1	911 E/S 911 T:M
>>	> 901 300 012 75	transmission complete 901/75 1st gear Z = 14:37 2nd gear Z = 18:32 3rd speed Z = 22:29 4th speed Z = 26:26 5th speed Z = 28:23 with differential normal	-70	1	911 T/S/E:M
<<	E 901 300 012 76	transmission complete 901/76 1st gear Z = 12:34 2nd gear Z = 17:34 3rd speed Z = 20:31 4th speed Z = 22:29 5th speed Z = 23:28 with differential normal	-70	1	911 T/E/S:M

Model	Year	MG	SG	Illustration	Restrictions	Update	15:12	11.04.2005
911	73	3	98	REP		187		

Pos	Part Number	Name	Remarks	Qty	Model
>>	> 901 300 012 77	transmission complete 901/77 1st gear Z = 12:34 2nd gear Z = 18:34 3rd speed Z = 21:31 4th speed Z = 23:28 5th speed Z = 25:26 with differential normal	-70	1	911 T/E/S:M
>>	> 901 300 012 78	transmission complete 901/78 1st gear Z = 15:36 2nd gear Z = 20:32 3rd speed Z = 23:28 4th speed Z = 26:26 5th speed Z = 28:23 with differential normal	-70	1	911 T/E/S:M
>>	> 901 300 012 79	transmission complete 901/79 1st gear Z = 14:37 2nd gear Z = 20:32 3rd speed Z = 22:29 4th speed Z = 25:27 5th speed Z = 27:25 with differential normal	-70	1	911 T/E/S:M
>>	> 901 300 901 00	set of seals for transmission with chilled casting comprising:	-70	1	911 T/E/S
-	999 113 058 50	radial sealing ring 45 X 65 X 10		2	

PORSCHE

PET

PORSCHE

Model	Year	MG	SG	Illustration	Restrictions	Update	15:12	11.04.2005
911	73	3	98	REP		187		

Pos	Part Number	Name	Remarks	Qty	Model
-	900 112 001 50	radial sealing ring B 15 X 24 X 7		1	
-	E 999 111 001 00	shaft seal 15 X 24 X 7		1	
-	901 301 191 01	gasket for transmission case 0,1 MM		2	
-	901 301 191 02	gasket for transmission case 0,15 MM		2	
-	901 301 191 03	gasket for transmission case 0,2 MM		2	
-	999 113 048 50	sealing frame		1	
-	900 123 009 30	sealing ring A 18 X 24 AL		2	
-	999 113 036 50	radial sealing ring		1	
-	999 701 084 50	o-ring 25,3 - 2,4		1	
-	901 301 392 01	gasket for transmission cover		1	
-	901 301 391 01	gasket for transmission cover lateral		1	
-	900 123 011 30	sealing ring A 22 X 27 AL		1	
-	901 303 191 01	gasket		1	
-	E 901 116 773 01	sealing washer		1	

Model	Year	MG	SG	Illustration	Restrictions	Update	15:12	11.04.2005
911	73	3	98	REP		187		

Pos	Part Number	Name	Remarks	Qty	Model
>>	> 901 300 012 80	transmission complete 901.300/80 1st gear Z = 14:37 2nd gear Z = 18:32 3rd speed Z = 22:29 4th speed Z = 26:26 5th speed Z = 28:23 with differential normal	-70	1	911 T/E/S
>>	> 901 300 012 81	transmission complete 901.300/81 1st gear Z = 12:34 2nd gear Z = 17:34 3rd speed Z = 20:31 4th speed Z = 22:29 5th speed Z = 23:28 with differential normal	-70	1	911 T/E/S
>>	> 901 300 012 82	transmission complete 901.300/82 1st gear Z = 12:34 2nd gear Z = 18:34 3rd speed Z = 21:31 4th speed Z = 23:28 5th speed Z = 25:26 with differential normal	-70	1	911 T/E/S

Model	Year	MG	SG	Illustration	Restrictions	Update	15:12	11.04.2005
911	73	3	98	REP		187		

Pos	Part Number	Name	Remarks	Qty	Model
>>	> 901 300 012 83	transmission complete 901.300/83 1st gear Z = 15:36 2nd gear Z = 20:32 3rd speed Z = 23:28 4th speed Z = 26:26 5th speed Z = 28:23 with differential normal	-70	1	911 T/E/S
>>	> 901 300 012 84	transmission complete 901.300/84 1st gear Z = 14:37 2nd gear Z = 20:32 3rd speed Z = 22:29 4th speed Z = 25:27 5th speed Z = 27:25 with differential normal	-70	1	911 T/E/S
>>	> 911 300 010 00	transmission complete 911.300/00 1st gear Z = 11:34 2nd gear Z = 19:31 3rd speed Z = 25:26 4th speed Z = 29:22 with differential normal	-71	1	911 T

Model	Year	MG	SG	Illustration	Restrictions	Update	15:12	11.04.2005
911	73	3	98	REP		187		

Pos	Part Number	Name	Remarks	Qty	Model
>>	> 911 300 012 01	transmission complete 911.300/01 1st gear Z = 11:34 2nd gear Z = 18:32 3rd speed Z = 23:28 4th speed Z = 27:25 5th speed Z = 29:22 with differential normal	-71	1	911 E/S 911 T:M
>>	> 911 300 012 80	transmission complete 911.300/80 1st gear Z = 14:37 2nd gear Z = 18:32 3rd speed Z = 22:29 4th speed Z = 26:26 5th speed Z = 28:23 with differential normal	-71	1	911 S COUPE
>>	> 911 300 012 81	transmission complete 911.300/81 1st gear Z = 12:34 2nd gear Z = 17:34 3rd speed Z = 20:31 4th speed Z = 22:29 5th speed Z = 23:28 with differential normal	-71	1	911 S COUPE

Model	Year	MG	SG	Illustration	Restrictions	Update	15:12	11.04.2005
911	73	3	98	REP		187		

Pos	Part Number	Name	Remarks	Qty	Model
>>	> 911 300 012 82	transmission complete 911.300/82 1st gear Z = 12:34 2nd gear Z = 18:34 3rd speed Z = 21:31 4th speed Z = 23:28 5th speed Z = 25:26 with differential normal	-71	1	911 S COUPE
>>	> 911 300 012 83	transmission complete 911.300/83 1st gear Z = 15:36 2nd gear Z = 20:32 3rd speed Z = 23:28 4th speed Z = 26:26 5th speed Z = 28:23 with differential normal	-71	1	911 S COUPE
>>	> 911 300 012 84	transmission complete 911.300/84 1st gear Z = 14:37 2nd gear Z = 20:32 3rd speed Z = 22:29 4th speed Z = 25:27 5th speed Z = 27:25 with differential normal	-71	1	911 S COUPE

Model	Year	MG	SG	Illustration	Restrictions	Update	15:12	11.04.2005
911	73	3	98	REP		187		

Pos	Part Number	Name	Remarks	Qty	Model
>>	> 911 300 012 01	transmission complete 911.300/01 1st gear Z = 11:34 2nd gear Z = 18:32 3rd speed Z = 23:28 4th speed Z = 27:25 5th speed Z = 29:22 with differential normal	71	1	911 E/S 911 T:M
>>	> 901 300 916 00	set of seals for transmission from die casting housing comprising:	-71	1	911 T/E/S
-	999 113 185 40	shaft seal shaft seal A 15 X 24 X 7	-70 71	1	
-	901 301 191 21	gasket for transmission case 0,1 MM		1	
-	901 301 191 22	gasket for transmission case 0,15 MM		1	
-	901 301 191 23	gasket for transmission case 0,2 MM		1	
-	999 113 048 50	radial sealing ring 20 X 40 X 16		1	
-	999 113 036 50	radial sealing ring BA 10 X 18 X 6		1	
-	999 701 084 50	o-ring OR 25,3-2,4		1	
-	901 303 191 01	gasket	-70	1	
-	999 113 130 50	radial sealing ring DG-FG 45 X 68 X 10		2	
-	901 301 392 12	gasket for transmission cover		1	

Model	Year	MG	SG	Illustration	Restrictions	Update	15:12	11.04.2005
911	73	3	98	REP		187		

Pos	Part Number	Name	Remarks	Qty	Model
-	113 301 185 A	gasket for transmission cover lateral 177 X 3,5		1	
-	901 303 191 01	gasket for fork old version	71	1	
-	999 701 359 40	o-ring OR 40 X 1,5		1	
>>	> 915 300 010 12	transmission complete ready for installation 915.300/12 1st gear Z = 11:35 2nd gear Z = 18:32 3rd speed Z = 24:27 4th speed Z = 28:23 with differential normal	72-	1	911 T-E/E/S 911 T-V 911 T-K
>>	> 915 300 010 02	transmission complete ready for installation 915.300/02 1st gear Z = 11:35 2nd gear Z = 18:33 3rd speed Z = 23:29 4th speed Z = 26:25 5th speed Z = 29:22 with differential normal		1	911 T-E/E/S 911 T-V 911 T-K

Model	Year	MG	SG	Illustration	Restrictions	Update	15:12	11.04.2005
911	73	3	98	REP		187		

Pos	Part Number	Name	Remarks	Qty	Model
>>	> 915 300 010 18	4-speed transmission with oil pump complete ready for installation TYP 915.300/18 1st gear Z = 11:35 2nd gear Z = 20:32 3rd speed Z = 25:26 4th speed Z = 29:22 with differential normal	72-	1	CARRERA 2.7
>>	> 915 300 010 08	5-speed transmission with oil pump complete ready for installation TYP 915.300/08 1st gear Z = 11:35 2nd gear Z = 18:33 3rd speed Z = 23:29 4th speed Z = 27:25 5th speed Z = 29:21 with differential normal	72-	1	CARRERA 2.7
>>	> 915 300 911 00	set of seals for transmission TYP 915 without oil pump	72-	1	
-	915 301 139 00	sealing ring		1	
-	999 113 183 40	radial shaft seal 45 X 68 X 10		2	
-	999 113 182 40	shaft seal 23 X 40 X 10		1	
-	915 302 381 00	shaft seal 23 X 35 X 8/11		1	
-	999 701 392 40	o-ring OR 195 X 3,5		1	

PORSCHE

PET

PORSCHE

Model	Year	MG	SG	Illustration	Restrictions	Update	15:12	11.04.2005
911	73	3	98	REP		187		

Pos	Part Number	Name	Remarks	Qty	Model
-	915 301 191 00	gasket		1	
-	900 123 066 30	sealing ring A 10 X 16 AL		2	
-	999 113 185 40	shaft seal 15 X 24 X7		1	
-	999 701 349 40	o-ring 17,5 X 2,4		1	
-	999 113 175 40	shaft seal 6 X 15 X 6		1	
-	915 301 351 00	gasket		1	
-	999 701 169 40	o-ring 14,3 X 2,4		1	
-	915 303 225 00	gasket for transmission with oil pump gaskets group 3/02/30 order		1	
>>	> 905 300 010 13	transmission with converter ready for installation 905/13 sportomatic 1st gear Z = 15:36 2nd gear Z = 19:31 3rd speed Z = 23:28 4th speed Z = 27:25	-70	1	911 T/E
>>	> 905 300 010 20	transmission complete 905.300/20 sportomatic 1st gear Z = 15:36 2nd gear Z = 20:31 3rd speed Z = 24:27 4th speed Z = 28:24 with differential normal	-71	1	911 T/E

Model	Year	MG	SG	Illustration	Restrictions	Update	15:12	11.04.2005
911	73	3	98	REP		187		

Pos	Part Number	Name	Remarks	Qty	Model
>>	> 905 300 902 00	set of seals for sportomatic transmission comprising:	-71 72-	1	911 T/E 911 T-V
-	PCG 113 071 50	radial shaft seal 25 X 35 X 6		1	
-	PCG 201 301 00	shaft seal 12 X 18 X 3		1	
-	999 113 189 40	shaft seal 45 X 60 X 7		1	
-	900 123 019 20	sealing ring A 16 X 22 CU		1	
-	900 123 007 30	sealing ring A 14 X 18 AL		2	
-	999 113 286 40	shaft seal 22 X 35 X 8		1	
-	999 113 058 50	radial sealing ring 45 X 65 X 10		2	
-	905 301 191 00	gasket for transmission case 0,10 MM		1	
-	905 301 191 01	gasket for transmission case 0,15 MM		1	
-	905 301 191 02	gasket for transmission case 0,20 MM		1	
-	999 113 185 40	shaft seal A 15 X 24 X 7		1	
-	999 701 084 50	o-ring 25,3 X 2,4		1	
-	E 905 301 392 02	gasket for transmission cover front		1	
-	N 013 849 2	sealing ring A 14 X 18 CU		1	
-	999 701 286 40	o-ring 160 X 3		1	
-	999 701 359 40	o-ring 40 X 15		1	

Model	Year	MG	SG	Illustration	Restrictions	Update	15:12	11.04.2005
911	73	3	98	REP		187		

Pos	Part Number	Name	Remarks	Qty	Model
-	905 301 391 00	for transmission with transmission cover lateral and fork old version without o-ring gaskets order also: gasket for transmission cover lateral		1	
-	901 303 191 01	gasket for fork		1	
>>	> 905 300 010 21	transmission with converter complete ready for installation 905.300/21 sportomatic 1st gear Z = 15:36 2nd gear Z = 20:31 3rd speed Z = 24:27 4th speed Z = 28:24 with differential normal	72-	1	911 T-V
>>	> 925 300 010 00	transmission with converter complete ready for installation 925.300/00 sportomatic 1st gear Z = 15:36 2nd gear Z = 20:31 3rd speed Z = 24:27 4th speed Z = 28:24 with differential normal	72-	1	911 T-E/E 911 T-K

Model	Year	MG	SG	Illustration	Restrictions	Update	15:12	11.04.2005
911	73	3	98	REP		187		

Pos	Part Number	Name	Remarks	Qty	Model
>>	> 925 300 010 01	transmission with S- torque converter complete ready for installation 925.300/01 sportomatic 1st gear Z = 15:36 2nd gear Z = 20:31 3rd speed Z = 24:27 4th speed Z = 28:24 with differential normal	72-	1	911 S
>>	> 925 300 911 00	set of seals for transmission TYP 925 sportomatic comprising:	72-	1	911 T-E/E/S 911 T-K
-	999 113 205 40	shaft seal 26 X 37 X 7		1	
-	PCG 201 301 00	shaft seal 12 X 18 X 3		1	
-	999 701 397 40	o-ring 72 X 2,5		1	
-	N 013 804 2	sealing ring A 6 X 10 CU		8	
-	999 113 189 40	shaft seal		1	
-	900 123 060 30	sealing ring A 24 X 29 AL		1	
-	900 123 007 30	sealing ring A 14 X 18 AL		2	
-	999 113 286 40	shaft seal		1	
-	999 113 183 40	radial shaft seal 45 X 68 X10		2	
-	925 301 191 00	gasket 0,1 MM		1	
-	925 301 191 01	gasket 0,15MM		1	
-	925 301 191 02	gasket 0,2 MM		1	

Model	Year	MG	SG	Illustration	Restrictions	Update	15:12	11.04.2005
911	73	3	98	REP		187		

Pos	Part Number	Name	Remarks	Qty	Model
-	999 113 175 40	shaft seal 6 X 15 X 6		1	
-	999 701 084 50	o-ring 25,3 X 2,4		1	
-	999 113 185 40	shaft seal 15 X 24 X 7		1	
-	925 301 392 00	gasket		1	
-	900 123 007 30	sealing ring 14 X 18 AL		1	
-	999 701 376 40	o-ring 170 X 3,5		1	
-	999 701 359 40	o-ring 40 X 1,5		1	
- - - E N D - - -					